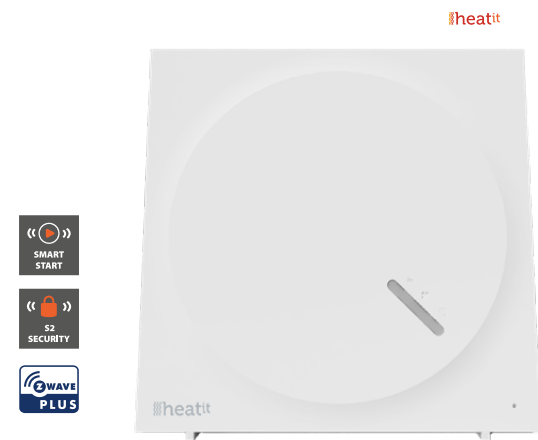


HEATIT Z-GATEWAY



Heatit Z-Wave Gateway is a smart home control unit with a modern design. Heatit Z-Gateway has SmartStart. This feature allows the user to include all devices with SmartStart by scanning the QR codes on the devices. On startup all the devices will automatically be included in the gateway. This saves the installer a lot of work.

This gateway allows you to control all Z-Wave devices in your home via a tablet or mobile phone. The gateway is designed for easy setup and operation. With just a few clicks, you can easily add Z-Wave devices and create scenes. The settings are simple, but the possibilities are almost limitless.

Push notifications are supported, so you get notifications from your phone when an event is triggered in the smart home system, even when the phone is in sleep mode.

Voice control via Amazon Alexa and Google Home is also supported, and you may manage the system through voice commands.

The Heatit Z-Wave gateway gives you endless opportunities to tailor your smart home to your specific needs.

PRODUCT INFO Heatit Z-Gateway

FEATURES

- Z-Wave gateway
- SmartStart
- Controls up to 120 Z-Wave devices
- Controls up to 12 devices in one scene
- Up to 60 scenes
- Support for Amazon Alexa and Google Home
- Push notifications
- Optional alarm function for each connected device
- Software update via FTP
- Internal real-time clock
- Supports encryption mode S0, S2 Authenticated Class, S2 Unauthenticated Class

TECHNICAL DATA

Protocol	Z-Wave
Chip	Z-Wave 500 chip
Rated voltage	230VAC 50Hz
Ambient temperature	5°C to 40°C
Humidity	Max. 80% RH
Size (LxWxH)	96 x 96 x 21 mm
Weight	129 gram
Approvals	Z-Wave Plus, CE

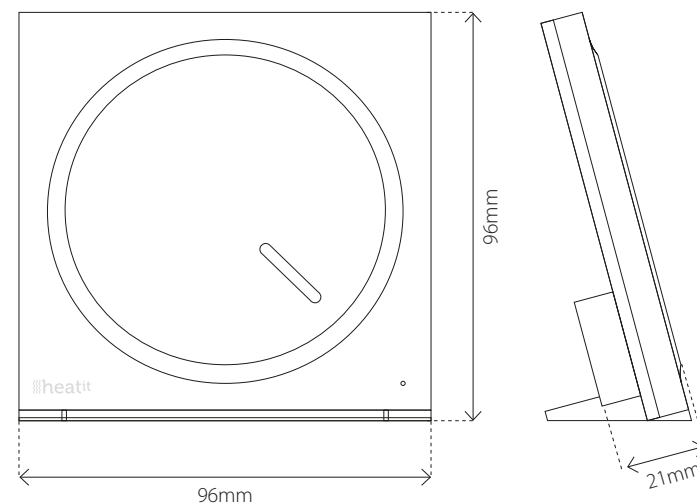
MAINTENANCE

Perform a monthly check to make sure that the gateway has the latest firmware version installed to guarantee stability and device support.

WARRANTY 2 years

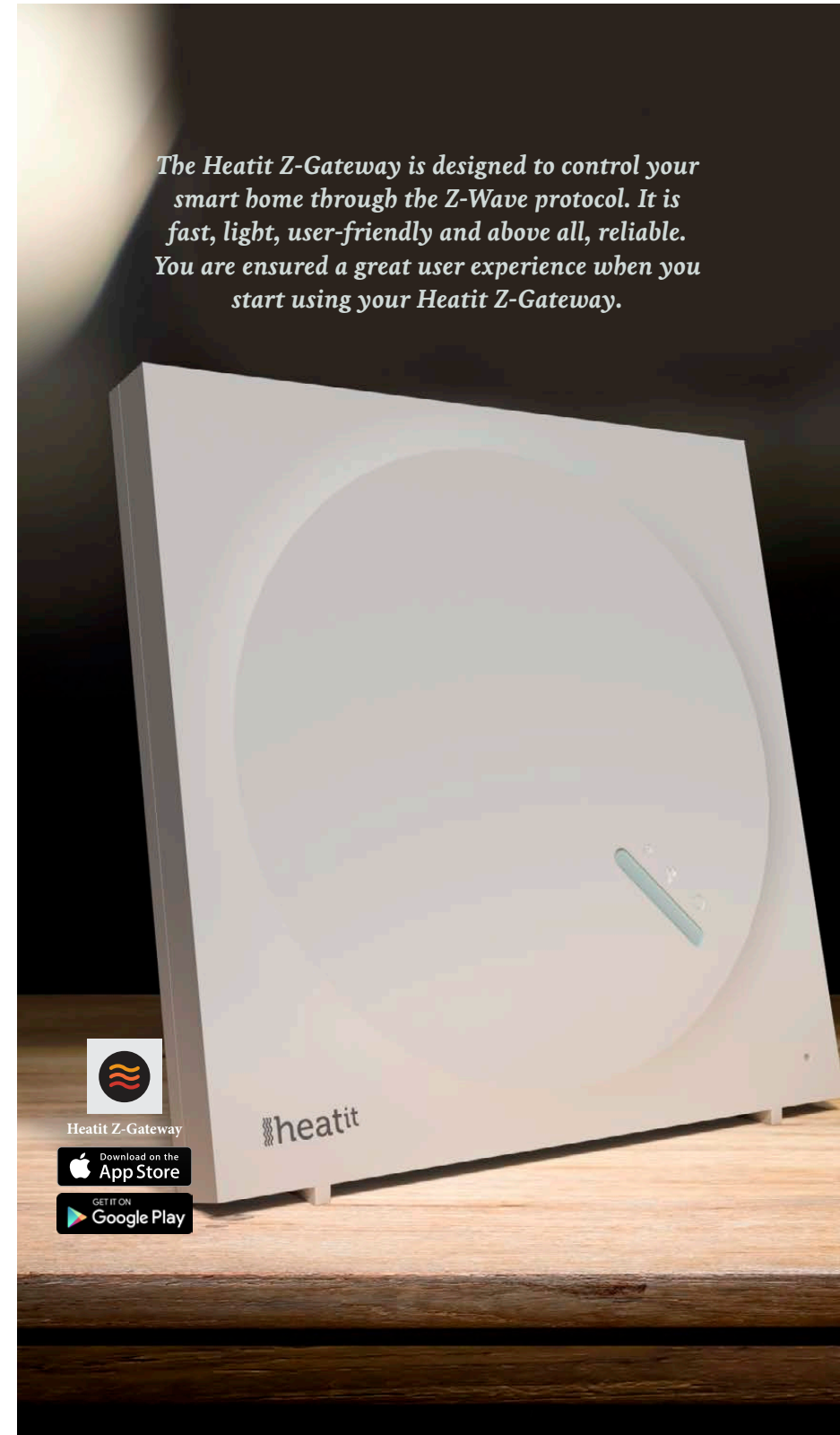
ART. NO.	PRODUCT	FREQUENCY
45 126 99	Heatit Z-Gateway	EU 868.4MHz

The product is also available in other Z-Wave frequency versions on request.



Heatit Z-Gateway

The Heatit Z-Gateway is designed to control your smart home through the Z-Wave protocol. It is fast, light, user-friendly and above all, reliable. You are ensured a great user experience when you start using your Heatit Z-Gateway.



TECHNICAL OVERVIEW

TECHNICAL SPECIFICATIONS	HEATIT Z-GATEWAY
Processor	GM8136S (600MHz)
RAM	125 MB
Hard Drive	32 MB SPI flash
Internet connection	Ethernet
Protocol	Z-Wave - 868.4MHz
Size (LxBxH)	96 x 96 x 21 mm
Weight	129g
Backup options	Cloud storage
Recommended unit limit	120
SmartStart support	Yes
Encryption level	Z-wave S0 & S2
FUNCTIONS	
Weekly heating program	Yes
Remote access	Yes
Integrated Home/Away/Night/Holiday modes (and similar)	Yes
Preset scenes	No
INTEGRATIONS	
Amazon Alexa	Yes
Google Assistant	Yes
Sonos	No
Philips Hue	No
Netatmo	No
Tibber pulse	No
APPROVALS	
Z-Wave Plus	Yes