

## PRODUCT INFO Heatit Z-DIN 616

### FEATURES

- DIN-rail module with 6 relay outputs and 6 digital inputs
- Z-Wave interface for other systems in order to control them through the Z-Wave network
- Mounted on DIN-rail in switchboard
- Potential free circuit control
- 6 x 16A potential free relays
- 2-pole switch solution when using 2 x relays combined
- Firmware update (OTA)
- Supports encryption mode S0, S2 Authenticated Class, S2 Unauthenticated Class

### TECHNICAL DATA

<b>Protocol</b>	Z-Wave
<b>Chip</b>	Z-Wave 500 chip
<b>Rated voltage</b>	10 - 24VDC 8 - 24VAC
<b>Power consumption</b>	0.6W (standby) All relays activated: 3.5W
<b>Screw terminals</b>	0.2 to 2.5mm <sup>2</sup> wires
<b>Outputs</b>	6 pcs pole potential free outputs AC1: 16A 250VAC AC3: 750W (motor) AC15: 360VA Max. inrush current 80A/20ms
<b>Contacts</b>	Common and Normally Open
<b>Inputs</b>	6 pcs pole potential free inputs
<b>Network range</b>	Min. 40 meters
<b>IP Code</b>	IP 21
<b>Size (HxWxD)</b>	85 x 105 x 60mm M36 6-module
<b>Approvals</b>	CE

### MAINTENANCE

The device is maintenance-free, but must never be covered. Only for indoor installation.

### WARRANTY

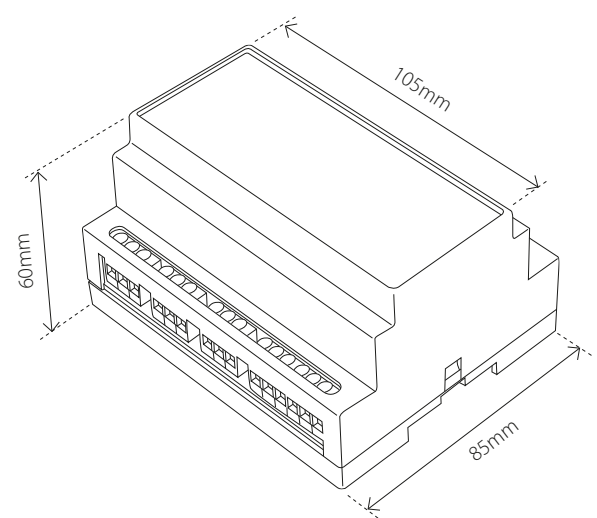
2 years

# HEATIT Z-DIN 616



Heatit Z-DIN 616 is a 6 x 16A potential free relay for DIN-rail mounting. The module is equipped with six relay switches and six digital inputs.

The six independent relay switches can be controlled freely through the Z-Wave network and may be used for many different purposes. For example, the six digital inputs may be connected to potential-free connectors or open collector outputs, and the inputs allow you to control other Z-Wave devices by sending commands through the Z-Wave network. The Heatit DIN-rail module can be used for connecting six 230VAC loads freely controllable from the Z-Wave network. All six relay outputs are galvanically separated. The six inputs of the DIN-rail module allow you to activate predefined scenes in a Z-Wave primary controller.



ART. NO.	PRODUCT	FREQUENCY
45 125 61	Heatit Z-DIN 6x16A	EU 868.4MHz

The product is also available in other Z-Wave frequency versions on request.

