

HEATIT Z-TRM7 Quick Guide



Article no. 54 305 71 54 305 72	Doc. version Ver A	Doc. date 08.01.2026
---------------------------------------	-----------------------	-------------------------



White RAL 9003
54 305 71

Black matt
54 305 72

INTRODUCTION

Heatit Z-TRM7 is an electronic thermostat designed for electrical heating and water based heating control. The thermostat can be controlled through your Z-Wave network, or via the buttons on the front of the thermostat. The thermostat features a user-friendly interface, complies with the Eco-Design directive and has an easy-to-read LED display.

Heatit Z-TRM7 has 3 modes; Heat - Cool and Eco.

The thermostat fits in standard European junction boxes and may be used with most System 55 frames. It has a sturdy metal frame for secure fastening in the junction box. The thermostat has one built-in room temperature sensor. Two additional external temperature sensors may also be connected.

Heatit Z-TRM7 has active power metering, and it gives you the real time information about the power consumption. It also allows you to set the power metering value manually in case of connection with a contactor.

The device is equipped with ZeroX™ technology, which ensures the relay switches at 0V when turning on and off. This technology significantly extends the thermostat's lifespan.

The thermostat can be set up with multiple associations and can be used as a master thermostat. It can control up to 10 thermostats and 10 external relays e.g wall plugs.

ELECTRICAL LOAD COMPATIBILITY

The thermostat is designed specifically for resistive loads. When controlling large resistive, capacitive, or inductive loads, it is essential to use an appropriate contactor to protect the thermostat from excessive load to ensure safe operation.

The thermostat can withstand a resistive load of up to 16A/3600W at 230VAC. For loads above 13A, we recommend using a contactor.

INSTALLATION DISCLAIMER

Installation must be done by a qualified electrician in accordance with national building codes. Before installation, disconnect the power to the device from the mains. During installation of the device, power to the device must be disconnected AT ALL TIMES!

QUICK START

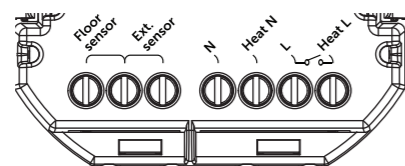
- Switch off the mains voltage (disable the fuse).
- Open the junction box.
- Connect the wires according to the description in chapter "Connections". Optional: Connect external wired sensors.
- After verifying the connections, switch on the mains voltage.
- Set the primary controller in add mode (security/non-security).
- Hold the Center button until "OFF" is shown in the display (approx. 5 seconds).
- Press the "+" button once to reach "CON", and hold until the display shows a rotating light pattern.
- The thermostat will display "INCL" when the thermostat is successfully added. NB! If adding/removing fails, Err (error) will appear.

CONNECTIONS

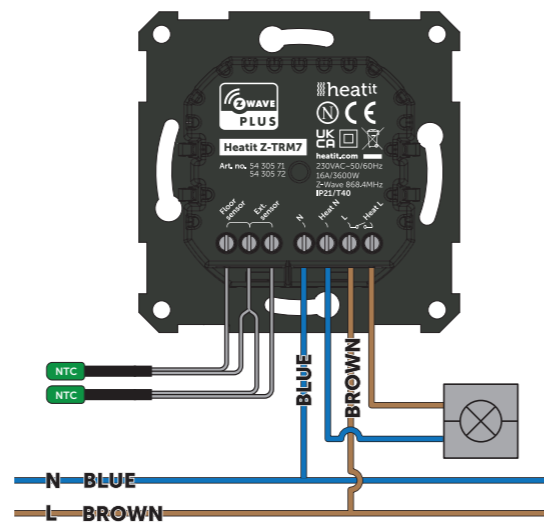
Max tightening torque terminal screws: 2Nm.

If the cable used has multiple strands using a end sleeve is advised. The product allows for wiring of cables with a cross section of up to 1x2.5mm².

To access the terminal screws, hold the sides of the display and gently pull outwards to detach the front piece.



Floor sensor	NTC-type 6.8, 10, 12, 15, 22, 33, 47 or 100kΩ. Default 10kΩ.
External sensor	NTC type 6.8, 10, 12, 15, 22, 33, 47 or 100kΩ. Default 10kΩ.
N	Power connection (Neutral) 230VAC.
Heating N	Heating cable N connection.
L	Power connection (Live) 230VAC.
Heating L	Heating cable L connection.



INSTALLATION

Position the thermostat and mount it into the junction box using 2 screws. Position the thermostat front over the part mounted in the junction box, then carefully press the front until it clicks into place. In order to get power metering values, the load needs to be connected to both heating L + N.

ASSOCIATION GROUPS

GROUPS	DESCRIPTION
Group 1 – Used by controller	Lifeline. Max nodes in group: 1
Group 2 – For controlling Relays	Binary Switch Set. Max nodes in group: 10
Group 3 – Used with group 4 to enable Master Thermostat	Thermostat Setpoint set. Max nodes in group: 10
Group 4 – Used with group 3 to enable Master Thermostat	Thermostat Mode set. Max nodes in group: 10

If the thermostat is supposed to control a relay, create an association from Group 2 on the thermostat, to the relay that will be controlled.

If the thermostat is supposed to control other thermostats as a Master thermostat, create an association from Group 3 and 4 on the thermostat, to the other thermostats that should be controlled.

ADD/REMOVE

The primary controller/gateway has a mode for adding or removing devices. Please refer to your primary controller manual on how to set the primary controller in add/remove mode. The device may only be added or removed from the network if the primary controller is in add/remove mode. When the device is removed from the network, it will NOT revert to factory settings.

An always listening node must be powered continuously and reside in a fixed position in the installation to secure the routing table. Adding the device within a 2 meter range from the gateway can minimize faults during the Interview process.

There are two ways to add the device to a Z-Wave network.

Standard (Manual)

Add/remove mode is indicated on the device by rotating LED segments on the display. It indicates this for 90 seconds until a timeout occurs, or until the device has been added to/ removed from the network. Configuration mode can also be cancelled by performing the same procedure used for starting Configuration mode.

- Hold the Center button for 5 seconds. The display will show "OFF".
- Press the "+" button once to see "CON" in the display.
- Start the add/remove device process in your primary controller.
- Start the configuration mode on the thermostat by holding the Center button for approximately 2 seconds.

The device is now ready for use with default settings.

NB! When the device is removed from the gateway, the parameters are not reset. To reset the parameters, see chapter "Factory reset".

If inclusion fails, please perform a "remove device" process and try again. If inclusion fails again, please see "Factory reset".

SmartStart (Automatic)

SmartStart enabled products may be added to a Z-Wave network by scanning the Z-Wave QR-Code on the product if your primary controller supports SmartStart inclusion. No further action is required and the SmartStart product will be added automatically after being powered on within range of the primary controller.

CHOICE OF SENSOR

The thermostat has multiple sensors and sensor modes. This lets you configure the thermostat to work correctly in most installations. The sensors and modes may be selected from either the local settings menu or via Parameter 2; "Sensor mode" ("OPER").

Available sensor modes:

F	Floor sensor
A	Internal room sensor
AF	Internal room sensor + Floor sensor
A2	External room sensor
A2F	External room sensor + Floor sensor
PWER	Power regulator mode (no sensor used)

NOTE: Some types of floor require that a floor sensor is connected in order to limit the floor temperature to a maximum of 27°C (check the manual from the floor manufacturer). When the thermostat is used in (AF or A2F) the floor limiter FHI is automatically set to 27°C. When using any other sensor type (A, F or A2) the minimum and maximum limits are 5°C and 40°C respectively.

FACTORY RESET

Enter the menu by holding the Center button for about 5 seconds, navigate in the menu with the "+" button til you see "FACT". Press the Center button until you see "--" blinking in the display, then hold for about 5 seconds to perform a reset. You may also initiate a reset by holding the Right and Center buttons for 60 seconds.

When either of these procedures has been performed, the thermostat will perform a complete factory reset. The device will display "RES" for 5 seconds while performing a factory reset. When "RES" is no longer displayed, the thermostat has been reset.

Please use this procedure only when the primary controller is missing or otherwise inoperable.

ERROR CODES

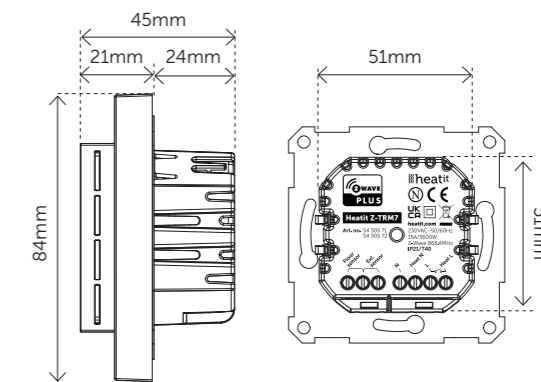
If you encounter an error code, try removing and reattaching the front of the thermostat to reset the device. If the issue persists, it is recommended to contact an electrician or support for further assistance.

Err	Adding fail See Manual: Chapter "Add/remove".
Err1	Internal error Most probably a faulty unit. Contact support.
Err2	Z-Wave error Most probably a faulty unit. Contact support.
Err3	Internal error Most probably a faulty unit. Contact support.
Err4	Floor sensor error You have chosen F, AF or A2F sensor mode without having a floor sensor connected, or the sensor may be damaged.
Err5	External sensor error You have chosen A2 or A2F sensor mode without having an external sensor connected, or the sensor may be damaged.
Err6	Overheating Contact your electrician.
Err7	Overload Contact your electrician.

DISPLAY ICONS

ICON	DESCRIPTION
	This icon will be displayed while the device is in Heat or Eco mode, and is currently heating.
	This icon will be displayed while the relay is on and the device is in Cooling mode.
	This icon shows the current signal strength.

DIMENSIONS



TECHNICAL DATA	
Protocol	Z-Wave, 868.4MHz
Chip	Z-Wave 800 chip
Rated voltage	230VAC 50Hz
Max load	3600W 16A (resistive load)
Max current	16A
Power consumption	<2W
Power regulator	Time cycle 0 to 30 min.
Ambient temperature	5°C to 40°C
Temperature range	5°C to 40°C
Storage temperature	-30°C to 70°C
Hysteresis	0.3°C to 3.0°C (default 0.5°C)
Humidity	10% to 85% RH
Compatible with NTC-sensor with values	6.8, 10, 12, 15, 22, 33, 47 or 100kΩ @ 25°C
Length NTC sensor	Max. 50 meters
Range RF	Min. 40 meter
Screw terminals	Max. 2.5mm² 2Nm
IP Code	IP21
Size (LxWxH)	84 x 84 x 45mm

Approvals Z-Wave Plus, CE, Nemko

Working frequency 868.42MHz, Max output power 10.38dBm. The distance between user and products should be no less than 20 cm. There is no restriction to use this product across the EU countries.

Hereby, Heatit Controls AS, declares that this device is in compliance with the essential requirements another relevant provisions of Directive 2014/53/EU.

MAINTENANCE

The product is maintenance-free. Indoor use only.

Do not dispose of electrical appliances as unsorted municipal waste, use separate collection facilities. To prevent possible harm to the environment or human health from uncontrolled waste disposal, recycle it responsibly to promote the sustainable reuse of material resources. To return your used device, please use the return and collection systems or contact the retailer where the product was purchased. They can take this product for environmental safe recycling.



We develop and design our products in accordance with our strict quality requirements (ISO 9001) and environmental requirements (ISO 14001). All electrical installations must be carried out by an authorized electrical installer. The product must be installed in accordance with our installers manual and national building codes. Any wrongful installation, misuse, damage of the product, is not covered under warranty. Updated documentation is available at www.heatit.com and/or documents.heatit.com. Heatit Controls AS can not be held liable for any type of errors or omissions in our product information. Product specifications may change without further notice.



Org. doc. 08.01.2026

Heatit Controls AS | Mattisrudsvingen 19, 2827 HUNNDALEN, NORWAY
Phone: +47 61 18 77 77 | post@heatit.com – www.heatit.com

Scan the QR code for direct access

- Installation and user manual
- Other languages

Heatit Z-TRM7



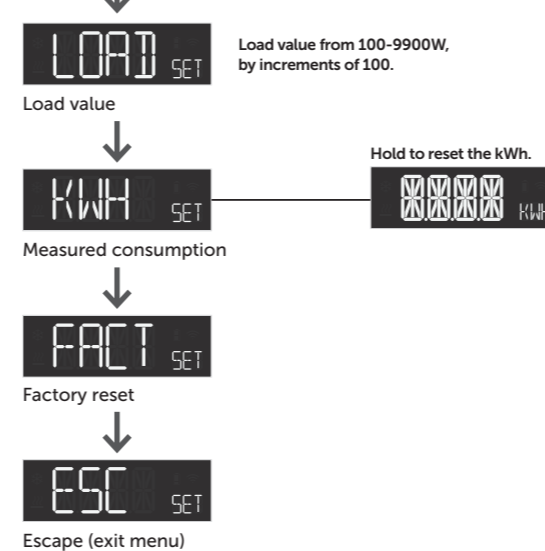
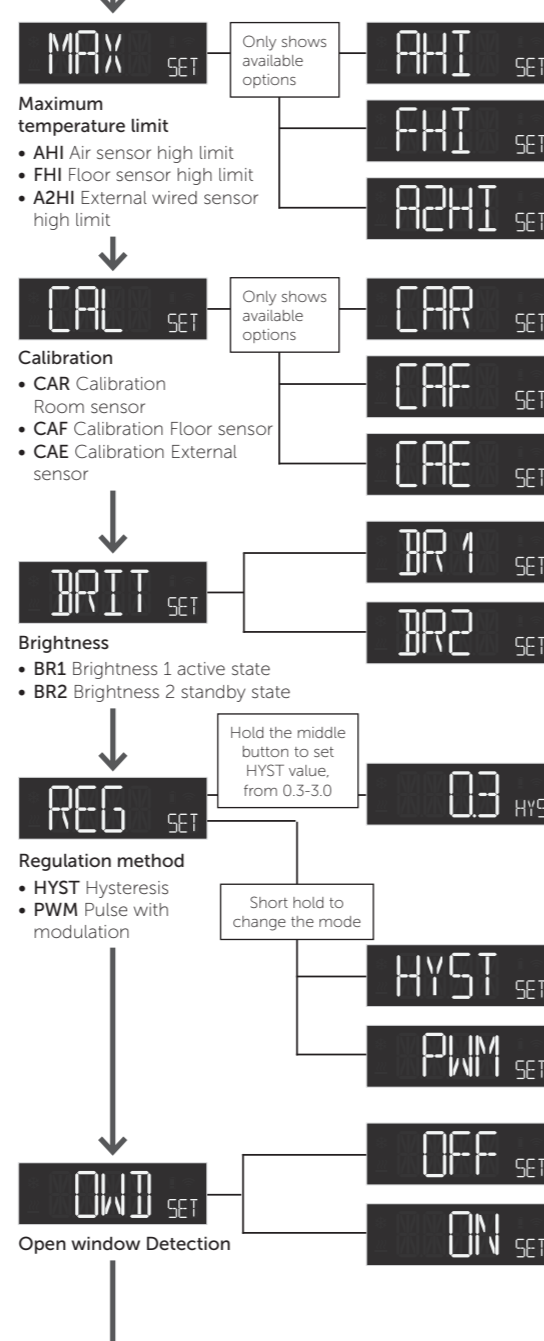
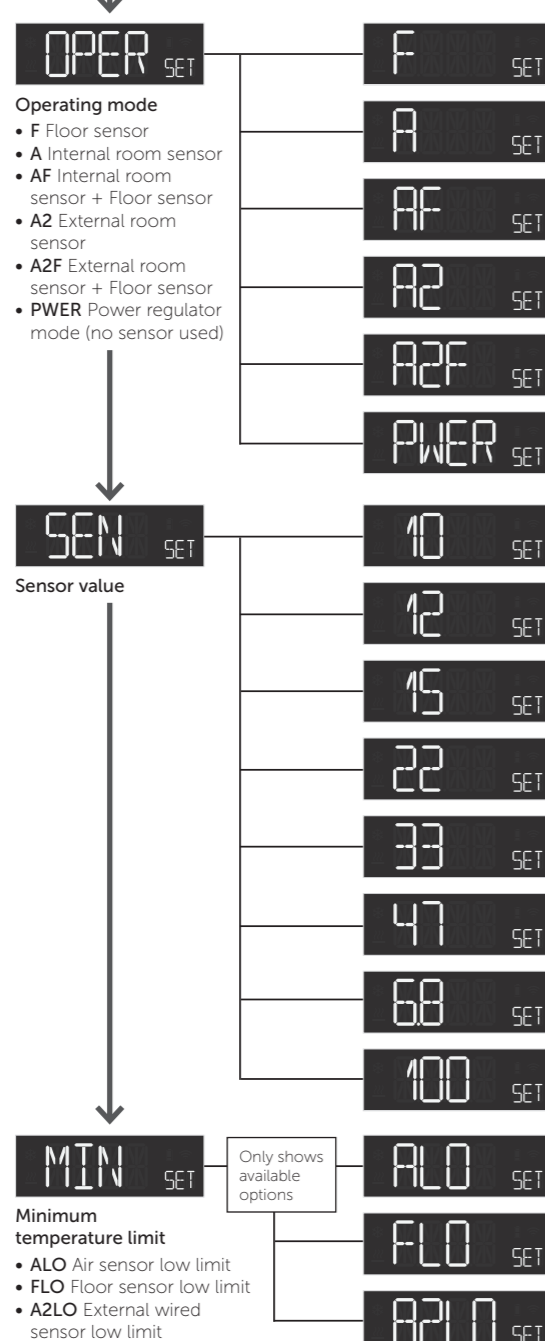
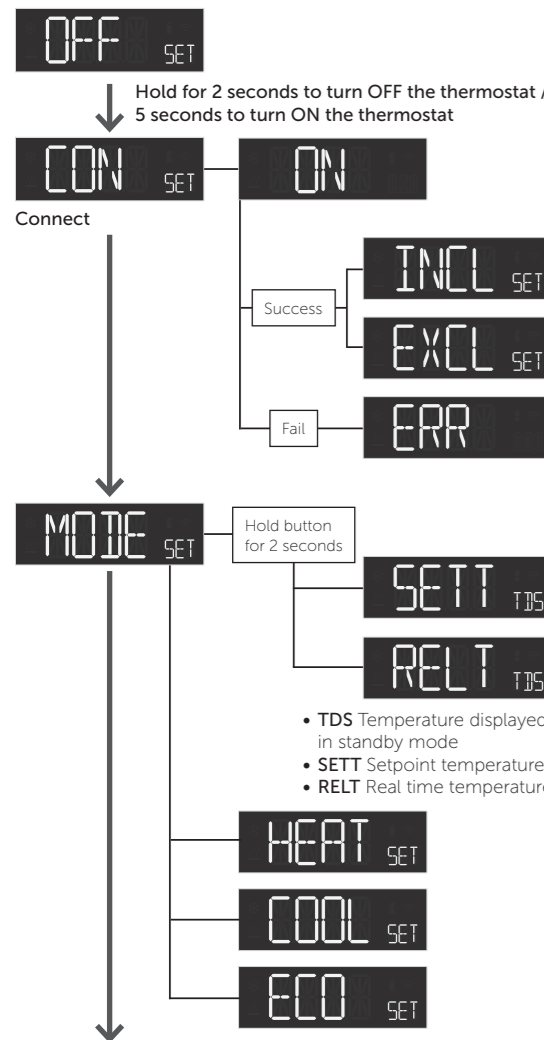
HEATIT Z-TRM7

CHART - Display Menu Structure

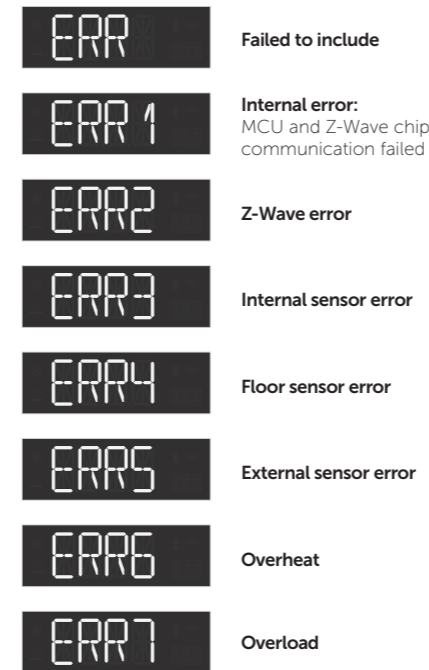
Article no. 54 305 71 54 305 72	Doc. version Ver A	Doc. date 08.01.2026
---------------------------------------	-----------------------	-------------------------



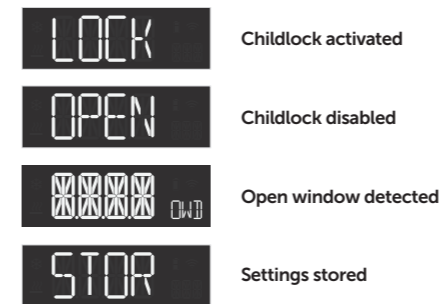
Hold the middle button for 5 seconds to enter menu.



ERROR MESSAGES IN DISPLAY



GENERAL DISPLAY MESSAGES



For a more detailed explanation, see the manual.
For en mer utfyllende forklaring, se i manualen.

Scan the QR code for direct access

- Installation and user manual
- Other languages

Heatit Z-TRM7



Do not dispose of electrical appliances as unsorted municipal waste, use separate collection facilities. To prevent possible harm to the environment or human health from uncontrolled waste disposal, recycle it responsibly to promote the sustainable reuse of material resources. To return your used device, please use the return and collection systems or contact the retailer where the product was purchased. They can take this product for environmental safe recycling.



We develop and design our products in accordance with our strict quality requirements (ISO 9001) and environmental requirements (ISO 14001). All product installations must be carried out by an authorized electrical installer. The product must be installed in accordance with our installers manual and national building codes. Any wrongful installation, misuse, damage of the product, is not covered under warranty. Updated documentation is available at www.heatit.com and/or documents.heatit.com. Heatit Controls AS can not be held liable for any type of errors or omissions in our product information. Product specifications may change without further notice.



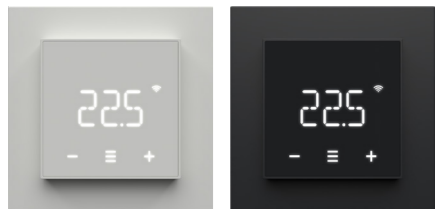
Org. doc. 08.01.2026

Heatit Controls AS | Mattisrudsvingen 19, 2827 HUNNDALEN, NORWAY
Phone: +47 61 18 77 77 | post@heatit.com - www.heatit.com

HEATIT Z-TRM7 Quick Guide



El-nummer 54 305 71 54 305 72	Dok. versjon Ver A	Dok. dato 08.01.2026
---	------------------------------	--------------------------------



White RAL 9003
54 305 71

Black matt
54 305 72

INNLEDNING

Heatit Z-TRM7 er en elektronisk termostat designet for elektrisk oppvarming og vannbåren varme. Termostaten styres gjennom Z-Wave nettverket, eller via knappene på fronten av termostaten. Termostaten har et brukervennlig grensesnitt, samsvarer med økodesign direktivet, og har et lettlest og oversiktlig LED display.

Heatit Z-TRM7 har 3 moduser; Heat - Cool og Eco.

Monteres i standard veggboкс og passer inn i System 55 rammer. Termostaten har metallramme for solid innfesting i veggboкс. Den har en intern temperaturløler, men kan også tilkobles til eksterne temperaturlølere.

Heatit Z-TRM7 har aktiv strømmåling og gir deg oversikt over forbruket i sanntid. Den lar deg også stille inn effekten manuelt hvis termostaten skal kobles til en kontaktor.

Produktet har implementert ZeroXTM teknologi. Denne tekniske løsningen sørger for at releet slår inn og ut ved 0V, dermed oppnår vi betydelig lengre levetid på releet.

Termostaten lar deg sette assosiasjoner som gjør den til en mastertermostat. Den kan kontrollere opp til 10 termostater og 10 eksterne releer f. eks veggpluggen.



KOMPATIBILITET MED ELEKTRISK LAST

Termostaten er spesielt utviklet for resistive laster. Ved styring av store resistive, kapasitive eller induktive laster, er det viktig å bruke en passende kontaktor for å beskytte termostaten mot overlast og sikker drift.

Termostaten tåler en resistiv belastning på maks 16A/3600W ved 230VAC. Vi anbefaler bruk av kontaktor for belastninger over 13A.

KRAV VED INSTALLASJON

Produktet skal installeres av autorisert installatør i henhold til norske byggeskrifter. Før installasjonen må all strømtilførsel til enheten kobles fra. Spenningen til enheten MÅ TIL ENHVER TID være frakoblet under montering.

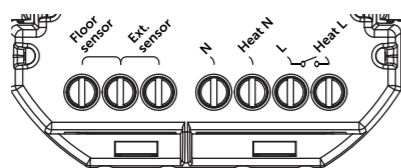
QUICK START

- Koble fra strømtilførselen (skru av sikringen).
- Åpne veggboксen.
- Koble i henhold til beskrivelsen over. Koble til eventuelle eksterne sensorer.
- Etter å ha verifisert tilkoblingene, slå på strømtilførselen.
- Sett gatewayen i inkluderings-/ekskluderingsmodus (security/non-security)
- Hold midtknappen inne til du ser "OFF" i displayet (ca. 5 sek.)
- Trykk på "+" knappen. "CON" vises i displayet. Hold knappen inne til displayet viser et roterende lysmønster.
- Displayet vil vise "INCL" når termostaten har blitt inkludert. NB! Hvis termostaten ikke ble inkludert/ekskludert vil "Err" (error) vises i displayet.

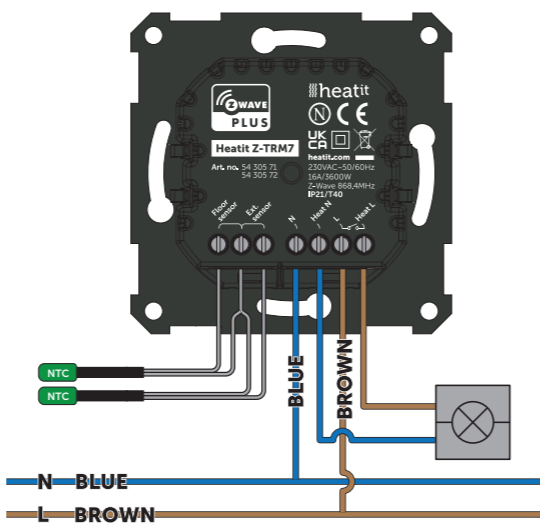
KOBLINGER

Tiltrekningsmoment klemmer maks 2Nm. Hvis kablen som brukes har flere tråder/kordeler anbefales det å bruke en endehylse. Produktet gir mulighet for tilkobling av kabler med tverrsnitt på opptil 1x2,5mm².

Hold på sidene på displayet og dra det utover for å fjerne frontstykket for å nå terminalskruene.



Floor sensor	NTC-type 6.8, 10, 12, 15, 22, 33, 47 eller 100kΩ. Standard 10kΩ.
External sensor	NTC type 6.8, 10, 12, 15, 22, 33, 47 eller 100kΩ. Standard 10kΩ.
N	Strømtilkobling (Nøytral) 230VAC
Heating N	Varmekabel N (Nøytral).
L	Strømtilkobling (Live) 230VAC.
Heating L	Varmekabel L (Live).



INSTALLASJON

Plassér termostaten i veggboксen og skru den fast med 2 skruer. Fronten på termostaten plasseres over den delen som er montert i koblingsboксen, trykk deretter forsiktig på fronten til den klikker på plass. For å få verdier for strømmåling, må belastningen kobles til både L + N for oppvarming.

ASSOSIASJONGRUPPER

GRUPPE	BESKRIVELSE
Group 1 – Used by controller	Lifeline. Max nodes in group: 1
Group 2 – For controlling Relays	Binary Switch Set. Max nodes in group: 10
Group 3 – Used with group 4 to enable Master Thermostat	Thermostat Setpoint set. Max nodes in group: 10
Group 4 – Used with group 3 to enable Master Thermostat	Thermostat Mode set. Max nodes in group: 10

Dersom termostaten skal styre et relé må en assosiasjon fra Group 2 opprettes mellom termostaten og reléet som skal kontrolleres.

Hvis termostaten skal styre andre termostater som master termostat må en assosiasjon fra Group 3 og Group 4 opprettes mellom master termostaten og termostatene som skal styres.

INKLUDERING/EKSKLUDERING

Vennligst les dette før installering

Gatewayen har en modus for å inkludere eller ekskludere enheter. Se manualen til din gateway for hvordan du setter gatewayen i inkluderings-/ekskluderingsmodus. Enheten kan bare legges til eller fjernes fra nettverket når gatewayen er i inkluderings-/ekskluderingsmodus. Når enheten fjernes fra nettverket, vil den IKKE gå tilbake til fabrikkinnstillinger.

En alltid lyttende node må være konstant spenningsatt og forbli på en fast posisjon i installasjonen for å sikre et stabilt mesh nettverk. Vi anbefaler å legge til enheten innenfor en rekkevidde på 2 meter fra gatewayen.

Enheden kan inkluderes i et Z-Wave-nettverk på to måter:

Standard (Manuelt)

Inkluderings-/ekskluderingsmodus indikeres på enheten ved "roterende" LED segmenter som vises på skjermen. Dette indikeres i 90 sekunder til en timeout oppstår, eller til enheten er lagt til/fjernet fra nettverket. Konfigurasjonsmodus kan også avbrytes ved å utføre samme prosedyre som brukes til å starte konfigurasjonsmodus.

- Hold inne senterknappen i 5 sekunder. Skjermen vil vise "OFF".
- Trykk "+" knappen en gang for å se "CON" på skjermen.
- Start prosessen for å legge til eller fjerne enheten i gatewayen.
- Sett termostaten i konfigurasjonsmodus ved å holde inne senterknappen i omtrent 2 sekunder.

Enheden er nå klar til bruk med standardinnstillinger.

NB! Når enheten fjernes fra gatewayen, blir ikke parametrene tilbakestilt. Hvis du vil tilbakestille parametrene, se "Fabrikkinnstilling".

Hvis inkluderingen mislykkes, utfør en "fjern enhet"-prosess og prøv igjen. Hvis inkluderingen mislykkes igjen, kan du vurdere å utføre en fabrikktilbakestilling.

SmartStart (Automatisk)

SmartStart-aktiverte produkter kan legges til et Z-Wave-nettverk ved å skanne Z-Wave QR-koden på produktet hvis gatewayen din støtter SmartStart-inkludering. Ingen ytterligere handling er nødvendig, og SmartStart-produktet legges til automatisk etter å ha blitt slått på innenfor rekkevidden til gatewayen.

VALG AV FØLER

Termostaten har flere følere og følermoduser. Dette lar deg konfigurere termostaten til å fungere riktig i de fleste installasjoner. Sensorene og modusene kan velges enten fra den lokale innstillingsmenyen eller via Parameter 2; "Sensormodus ("OPER)".

Tilgjengelige følermoduser:

- F** Gulvføler
- A** Romføler
- AF** Romføler + gulvføler
- A2** Ekstern romføler
- A2F** Ekstern romføler + gulvføler
- PWER** Effektregulator (uten føler)

MERK: Noen gulvtyper krever at en gulvføler er tilkoblet for å begrense gulvtemperaturen til maksimalt 27°C (sjekk manualen fra gulvprodusenten). Når termostaten brukes i AF eller A2F, settes makstemperaturen FHI automatisk til 27°C. Når du bruker en annen følertype (A, F eller A2), er minimums- og maksimumsgrensene henholdsvis 5°C og 40°C.

FABRIKKINSTILLING

Gå inn i menyen ved å holde senterknappen inne i ca. 5 sekunder, naviger i menyen med "+"-knappen til du ser FACT. Trykk på senterknappen til du ser "-- --" blinke i displayet, og hold deretter knappen inne i ca. 5 sekunder for å utføre en tilbakestilling. Du kan også starte en tilbakestilling ved å holde inne høyre- og midtknappen i 60 sekunder.

Når en av disse prosedyrene er utført, vil termostaten utføre en fullstendig tilbakestilling til fabrikkinnstillinger. Enheten vil vise "RES" i 5 sekunder mens den utfører tilbakestillingen. Når "RES" ikke lenger vises, er termostaten tilbakestilt.

Bruk denne prosedyren bare når gatewayen mangler eller på annen måte ikke fungerer.

FEILKODER

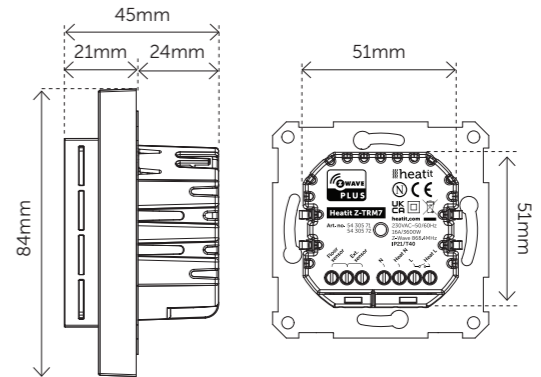
Hvis du opplever en feilkode, kan du prøve å ta av og på fronten på termostaten for å tilbakestille den. Hvis problemet vedvarer, anbefales det å kontakte en elektriker eller support for videre hjelp.

- | | |
|-------------|---|
| Err | Feil ved inkludering/Ekskludering
Se manual: Kapittel "Add/remove". |
| Err1 | Systemfeil
Trolig defekt enhet. Kontakt support. |
| Err2 | Z-Wave feil
Trolig defekt enhet. Kontakt support. |
| Err3 | Systemfeil
Trolig defekt enhet. Kontakt support. |
| Err4 | Feilmelding gulvføler
Du har valgt F, AF eller A2F uten at det er koblet til gulvføler eller at gulvføler er defekt. |
| Err5 | Feilmelding eksternføler
Du har valgt A2 eller A2F uten at det er koblet til en eksternføler eller at eksternføler er defekt. |
| Err6 | Høy temperatur
Kontakt en elektriker. |
| Err7 | Overbelastning
Kontakt en elektriker. |

DISPLAY-IKONER

IKON	BESKRIVELSE
	Dette ikonet vises når enheten enten er i Heat eller i ECO modus, og den varmer.
	Dette ikonet vises når reléet er på og enheten er i "Cool"-modus.
	Dette ikonet viser den aktuelle signalstyrken.

DIMENSJONER



TEKNISKE DATA	
Protokoll	Z-Wave, 868,4MHz
Chip	Z-Wave 800 chip
Spennning	230VAC 50Hz
Maks belastning	3600W 16A (resistiv last)
Maks strøm	16A
Effektforbruk	<2W
Effektregulator	Tidssyklus 0 til 30 min
Omgivelsestemperatur	5°C til 40°C
Reguleringstemperatur	5°C til 40°C
Lagringstemperatur	-30°C til 70°C
Hysteres	0,3°C til 3,0°C (standard 0,5°C)
Luftfuktighet	10% to 85% RH
Kompatibel med NTC-følere med verdi	6,8, 10, 12, 15, 22, 33, 47 og 100kΩ @ 25°C
 Lengde på NTC føler	Maks. 50 meter
Rekkevidde RF	Min. 40 meter
Tilkoblingsklemmer	Maks. 2,5mm ² 2Nm
IP-klasse	IP21
Størrelse (LxBxH)	84 x 84 x 45,5mm
Sertifisering	Z-Wave Plus, CE, Nemko

Frekvens 868,42MHz, Maks. effektnivå 10,38dBm. Avstanden mellom bruker og produkt bør være mer enn 20 cm i drift. Det er ingen begrensning på bruk av dette produktet i EU-landene.

Heatit Controls AS erklærer at denne enheten er i samsvar med de grunnleggende kravene og andre relevante bestemmelser i Direktiv 2014/53/EU.

VEDLIKEHOLD

Produktet trenger ikke vedlikehold. Kun for innendørs bruk.

Ikke kast elektriske apparater som usortert husholdningsavfall; bruk egne innsamlingsordninger. For å forhindre mulig skade på miljøet eller menneskers helse fra ukontrollert avfallshåndtering, resirkuler ansvarlig for å fremme bærekraftig gjenbruk av materialressurser. For å returnere det brukte apparatet, vennligst bruk retur- og innsamlingssystemene eller kontakt forhandleren der produktet ble kjøpt. De kan ta imot dette produktet for miljøvennlig resirkulering.



Skann QR-koden for direkte tilgang

- Installasjonsmanual
- Andre språk

Heatit Z-TRM7



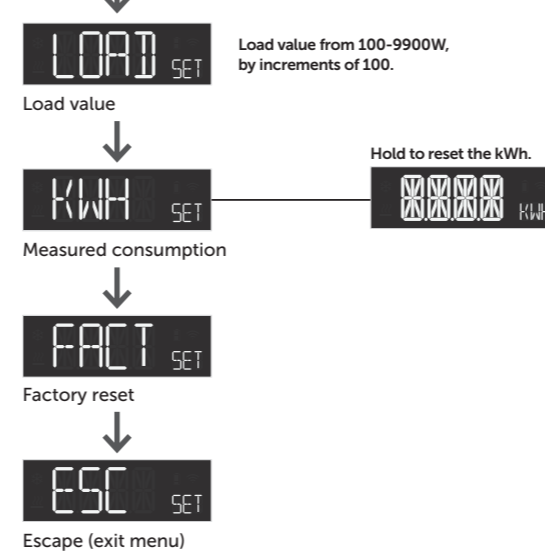
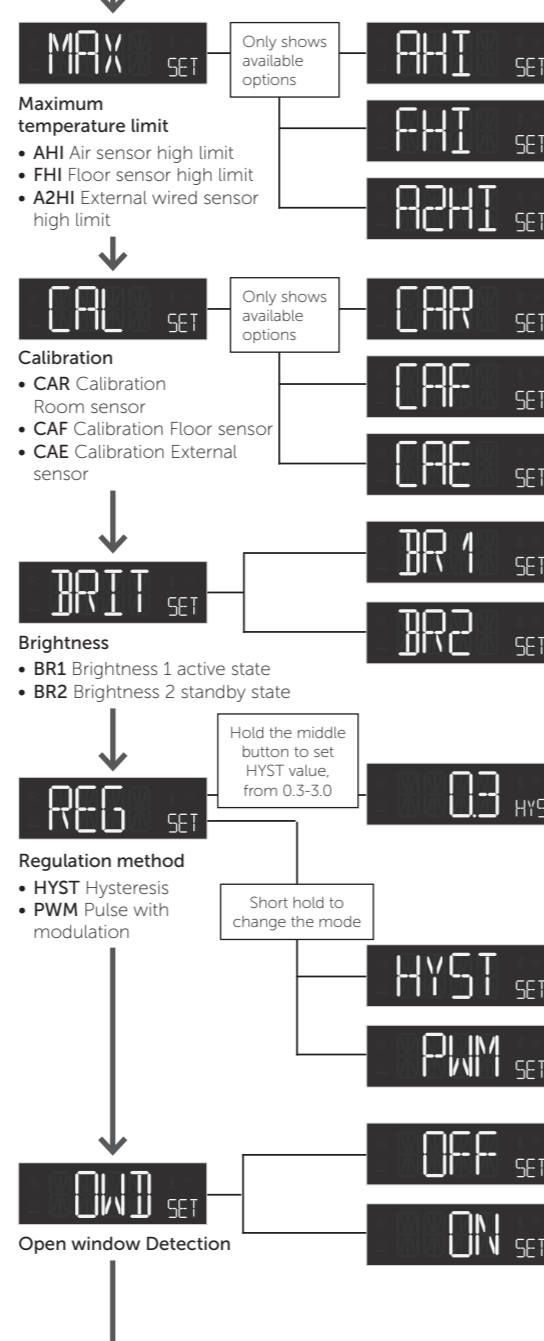
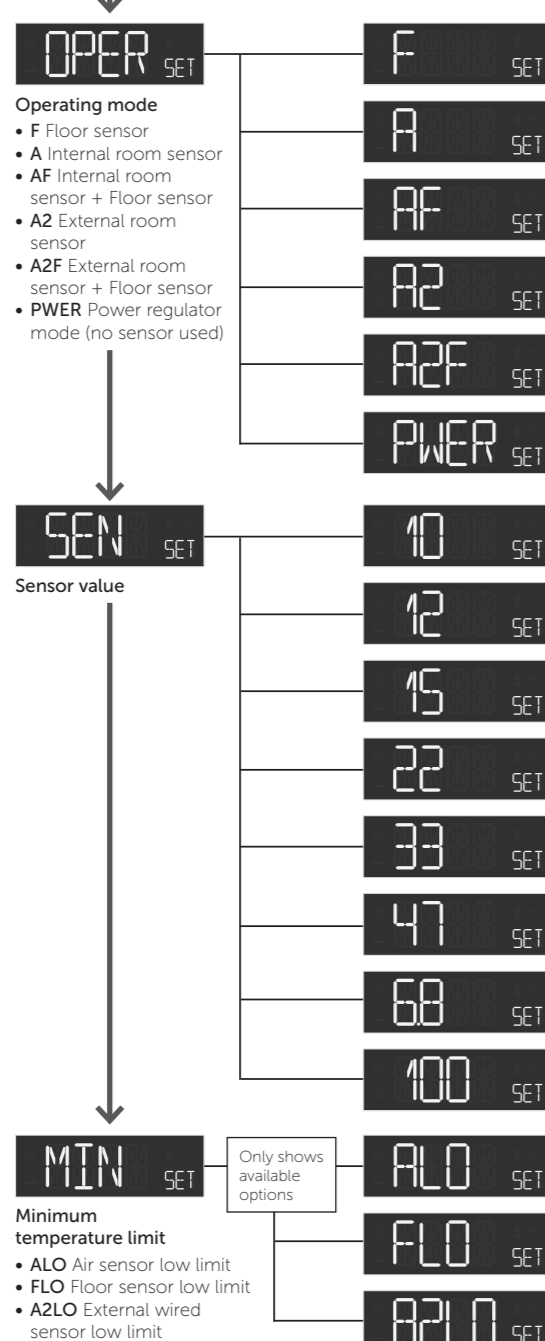
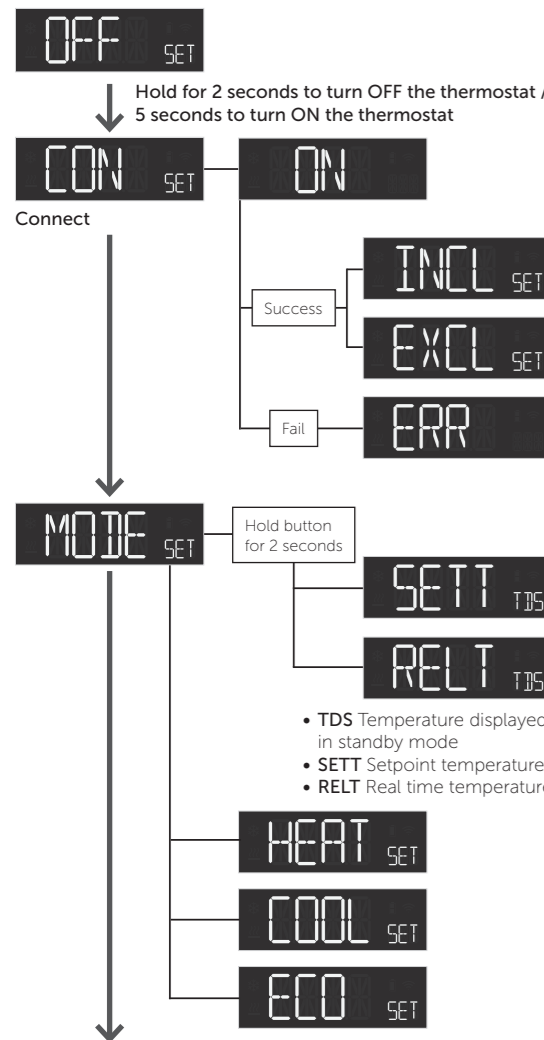
HEATIT Z-TRM7

CHART - Display Menu Structure

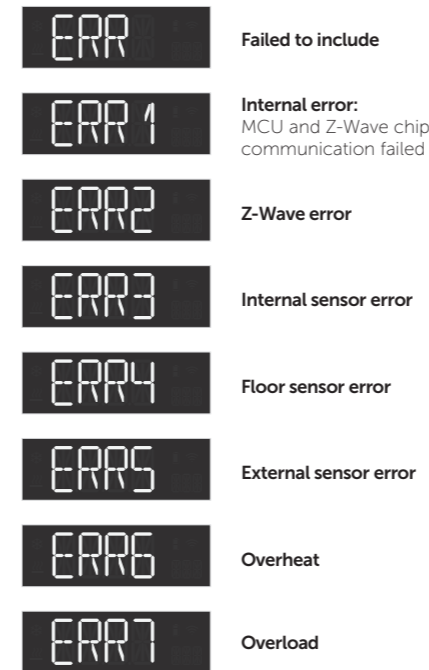
Article no. 54 305 71 54 305 72	Doc. version Ver A	Doc. date 08.01.2026
---------------------------------------	-----------------------	-------------------------



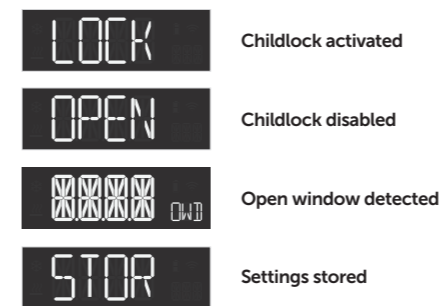
Hold the middle button for 5 seconds to enter menu.



ERROR MESSAGES IN DISPLAY



GENERAL DISPLAY MESSAGES



For a more detailed explanation, see the manual.
For en mer utfyllende forklaring, se i manualen.

Scan the QR code for direct access

- Installation and user manual
- Other languages

Heatit Z-TRM7



Do not dispose of electrical appliances as unsorted municipal waste, use separate collection facilities. To prevent possible harm to the environment or human health from uncontrolled waste disposal, recycle it responsibly to promote the sustainable reuse of material resources. To return your used device, please use the return and collection systems or contact the retailer where the product was purchased. They can take this product for environmental safe recycling.



We develop and design our products in accordance with our strict quality requirements (ISO 9001) and environmental requirements (ISO 14001). All product installations must be carried out by an authorized electrical installer. The product must be installed in accordance with our installers manual and national building codes. Any wrongful installation, misuse, damage of the product, is not covered under warranty. Updated documentation is available at www.heatit.com and/or documents.heatit.com. Heatit Controls AS can not be held liable for any type of errors or omissions in our product information. Product specifications may change without further notice.



Org. doc. 08.01.2026

Heatit Controls AS | Mattisrudsvingen 19, 2827 HUNNDALEN, NORWAY
Phone: +47 61 18 77 77 | post@heatit.com - www.heatit.com