



## HEATIT WiFi7 WHITE RAL 9003

Wi-Fi/BLE Thermostat 3600W 16A

**Art.no** 5430545

**GTIN** 7071236019695

Smart thermostat or relay. Heatit WiFi7 is an electronic thermostat designed for electrical heating and water based heating control. The Heatit WiFi7 can also function as a relay, allowing for simple On/Off functionality. The thermostat can be controlled via Wi-Fi or Bluetooth (BLE) using the "MyHeatit" App or with the buttons on the front of the thermostat. The thermostat features a user-friendly interface, complies with the Eco-Design directive and has an easy-to-read and clear 14-segment LED display.

Heatit WiFi7 has 3 modes: Heat - Cool and Eco.

It has a sturdy metal frame for secure fastening in the junction box. The thermostat has a built-in room temperature sensor. Two additional external temperature sensors may also be connected.

All Heatit products with Wi-Fi support and marked with the MyHeatit logo, can be controlled via our "MyHeatit" App. In the app, you can create profiles such as "Home", "Away", "Night", and "Work" to easily control, monitor, and organize your connected devices, or control them via a weekly schedule.

The installer configures the system via Wi-Fi. If Wi-Fi is not available, the system can be configured via Bluetooth. After the system is set up, the installer can transfer the property to the customer. The customer can then add the system to their local Wi-Fi network.

When used with Wi-Fi, the thermostat can communicate over a local API, allowing the user to integrate it with a local gateway, server, controller that offers such a service, without the need to connect it to the cloud. The device also supports Amazon Alexa and Google Home.

The thermostat can connect wirelessly to other devices via DirectLink and BlueFusion. It can be controlled by other thermostats, and it can also control other thermostats and relays.

Heatit WiFi7 features active power metering, providing real-time information about your power consumption. It also allows you to manually set the power metering value when connected to a contactor.

The device is equipped with ZeroX™ technology, which ensures the relay switches at 0V when turning on and off. This technology significantly extends the thermostat's lifespan.

### Electrical Load Compatibility

The thermostat is designed specifically for resistive loads. When controlling large resistive, capacitive, or inductive loads, it is essential to use an appropriate contactor to protect the thermostat from excessive load to ensure safe operation.

The thermostat can withstand a resistive load of up to 16A/3600W at 230VAC. For loads above 13A, we recommend using a contactor.

## PRODUCT FEATURES

- Wi-Fi (2.4GHz)/BLE
- Open API for integration
- DirectLink/BlueFusion
- 14-segment LED display
- Internal room sensor
- Floor sensor
- 3 modes: Heat - Cool - Eco
- Relay functionality
- Power regulator
- Temperature limiter
- Temperature calibration
- Hysteresis/PWM
- Profiles; Home - Away - Night - Work
- External room sensor (wired by cable)
- Google Home, Amazon Alexa (pending)
- ZeroX™ detection
- Open window detection
- Relay status icon
- Adjustable display brightness
- Single poled switch
- Lock mode/child lock
- Overload protection
- Overheat protection
- Weekly schedule in app
- Active power metering
- Firmware update (OTA)

## PRODUCT DATA

Ambient temperature range in use	5 to 40°C
Ambient temperature range in storage	-30 to 70°C
Min/max installation temperature	5 to 40°C
Min. and max ambient humidity (RH%)	10 to 85%
Material	Polycarbonate (PC)
Colour	White RAL 9003
Mounting	System 55 European Junction Box

## THERMOSTAT DATA

Regulation temperature	5 to 40°C
Compatible NTC-sensors (kΩ @ 25°C)	6.8, 10, 12, 15, 22, 33, 47, 100
Power regulator	Timed cycle 0-30 minutes
Temperature sensitivity	±0,5
Error margin temperature	0,5
Hysteresis	0,3 to 3,0 (default hysteresis 0,5)
Ohm value at 25°C	10kΩ
Max length of NTC sensor	50m

## ADDITIONAL INFO

IP Code	IP21
Certification	LVD, Reach, RED, RoHS
EN Standards	CE, Nemko, UKCA
Warranty international	2 years
Customs number	90321000
Country of origin	CN

## IOT / SMART HOME SPECIFIC DATA

Primary IoT Protocol	Bluetooth WiFi
Push buttons	3
Temperature measurement range	5 to 40°C
Over The Air update (OTA)	Yes

## ELECTRO TECHNICAL DATA

Voltage	230VAC 50Hz
Voltage Output	230VAC 50Hz
Grounding	No
Switch type	One-pole switch
Own power usage	2W
Max load (resistive load)	3600W
Max load (resistive load)	16A
Connection terminals diameter	0.2 to 2.5mm <sup>2</sup>
Max tightening torque connections	2N-m
Connection type	Screw clamps
Method of control	Button regulation Regulation via App



## PRODUCT DIMENSIONS

Product height/diameter	45.5mm	Product Width	84mm
Product length	84mm	Product net weight	125g

## MAINTENANCE

The device is maintenance-free. Indoor use only.

## ADDITIONAL INFORMATION

Downtime related to the app or cloud/service platform is not covered by the warranty.

Heatit Controls AB declares that this product is in compliance with the essential requirements and other relevant provisions of Directive 2014/53/EU.

## RETURN AND RECYCLING

The product must be recycled as electronic waste.

## DISCLAIMER

Approved for use in bathrooms.

Never change the front from one thermostat to another.

General info;

Worth noting regarding correct installation of thermostats.

When two or more thermostats are mounted too close to each other, the heat they emit, can interfere with the temperature sensors and the temperature in the junction box becomes too high. This can cause inaccurate temperature readings, especially under high load, leading to incorrect heating control. To avoid such issues, thermostats should be installed as far apart as possible and always in separate junction boxes. This ensures more accurate temperature readings.

In multi-frames with multiple units, the thermostat should always be mounted at the bottom, and no more than one thermostat should ever be installed in a multi-frame.

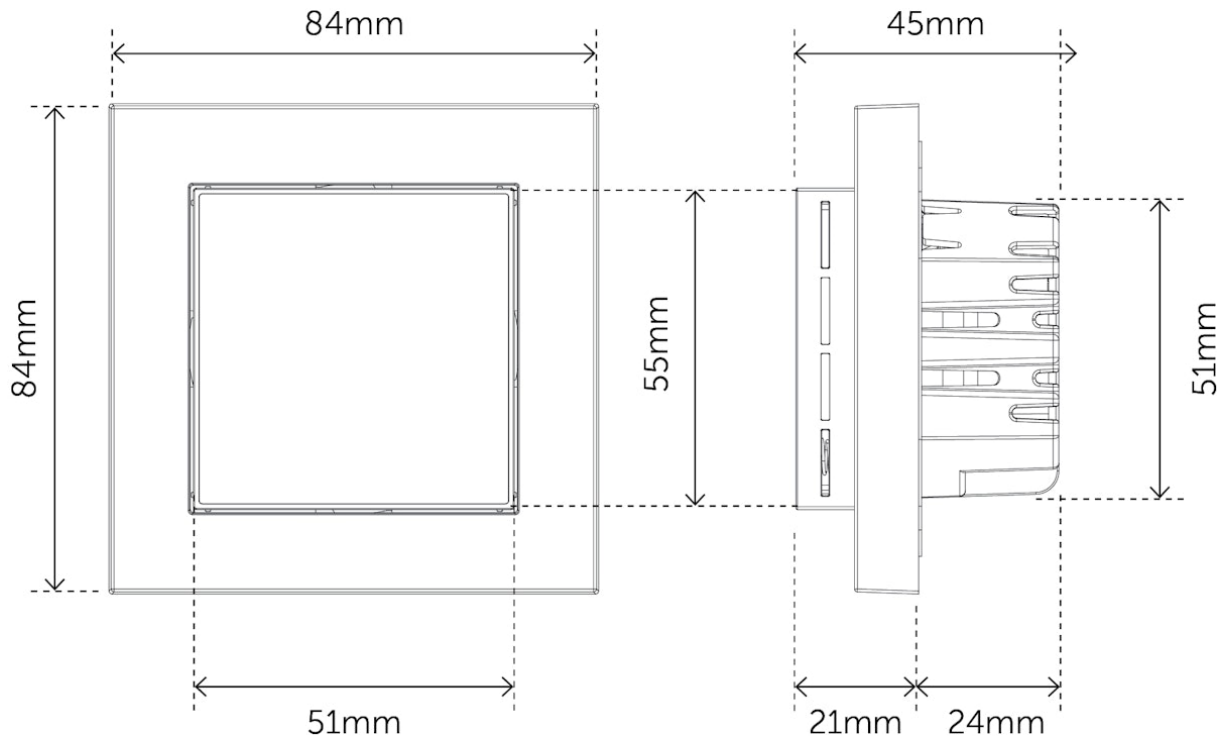
We develop and design our products according in accordance with our strict quality requirements (ISO 9001) and environmental requirements (ISO 14001).

All electrical installations must be carried out by an authorized electrical installer. The product must be installed in accordance with our installers manual and national building codes. Any wrongful installation, misuse, damage of the product, is not covered under warranty.

Updated documentation is available at [www.heatit.com](http://www.heatit.com) and/or [documents.heatit.com](http://documents.heatit.com)

Heatit Controls AS can not be held liable for any type of errors or omissions in our product information.

Product specifications may change without further notice.



**Heatit WiFi7 White RAL 9003 can be ordered from  
[shop.heatit.com/5430545](https://shop.heatit.com/5430545)**

All additional documentation are available on the above adress and on [documents.heatit.com/5430545](https://documents.heatit.com/5430545)

