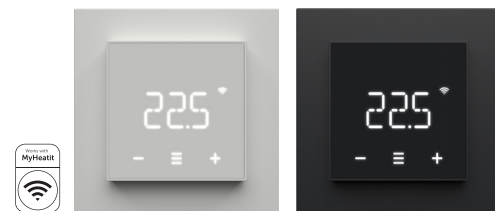


HEATIT WIFI7

Quick Guide

Article no. 54 305 45 54 305 46	Doc. version 2026-A	Doc. date 01.04.2026
---	-------------------------------	--------------------------------



White RAL 9003
54 305 45

Black matt
54 305 46

INTRODUCTION

Heatit WiFi7 is an electronic thermostat designed for electrical heating and water based heating control. The Heatit WiFi7 can also function as a relay, allowing for simple On/Off functionality. The thermostat can be controlled via Wi-Fi or Bluetooth (BLE) using the "MyHeatit" App or with the buttons on the front of the thermostat. The thermostat features a user-friendly interface, and an easy-to-read and clear 14-segment LED display.

Heatit WiFi7 has 3 modes: Heat - Cool and Eco.

It has a sturdy metal frame for secure fastening in the junction box. The thermostat has a built-in room temperature sensor. Two additional external temperature sensors may also be connected.

All Heatit products with Wi-Fi support and marked with the MyHeatit logo, can be controlled via our "MyHeatit" App. In the app, you can create profiles such as "Home", "Away", "Night", and "Work" to easily control, monitor, and organize your connected devices, or control them via a weekly schedule.

The installer configures the system via Wi-Fi. If Wi-Fi is not available, the system can be configured via Bluetooth. After the system is set up, the installer can transfer the property to the customer. The customer can then add the system to their local Wi-Fi network.



When used with Wi-Fi, the thermostat can communicate over a local API, allowing the user to integrate it with a local gateway, server, controller that offers such a service, without the need to connect it to the cloud. The device also supports Amazon Alexa and Google Home.

The thermostat can connect wirelessly to other devices via DirectLink and BlueFusion. It can be controlled by other thermostats, and it can also control other thermostats and relays.

Heatit WiFi7 features active power metering, providing real-time information about your power consumption. It also allows you to manually set the power metering value when connected to a contactor.

The device is equipped with ZeroX™ technology, which ensures the relay switches at 0V when turning on and off. This technology significantly extends the thermostat's lifespan.

ELECTRICAL LOAD COMPATIBILITY

The thermostat is designed specifically for resistive loads. When controlling large resistive, capacitive, or inductive loads, it is essential to use an appropriate contactor to protect the thermostat from excessive load to ensure safe operation.

The thermostat can withstand a resistive load of up to 16A/3600W at 230VAC. For loads above 13A, we recommend using a contactor.

INSTALLATION DISCLAIMER

Installation must be done by a qualified electrician in accordance with national building codes. Before installation, disconnect the power to the device from the mains. During installation of the device, power to the device must be disconnected AT ALL TIMES!

QUICK START

Upon connecting the device to power, it will automatically enter add mode for a duration of 60 minutes.

1. Switch off the mains voltage (disable the fuse).
2. Open the junction box.
3. Connect the wires according to the description in chapter "Connections". Optional: Connect external wired sensors.
4. After verifying the connections, switch on the mains voltage.
5. In the "MyHeatit" App, choose "Add Device", enter your Wi-Fi details, search for and select your device.
6. The thermostat will display "INCL" when the thermostat is successfully added.

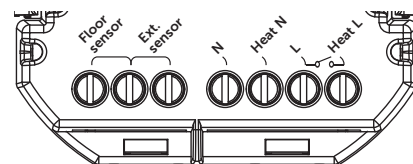
NB! If adding/removing fails, Err (error) will appear in the display.

CONNECTIONS

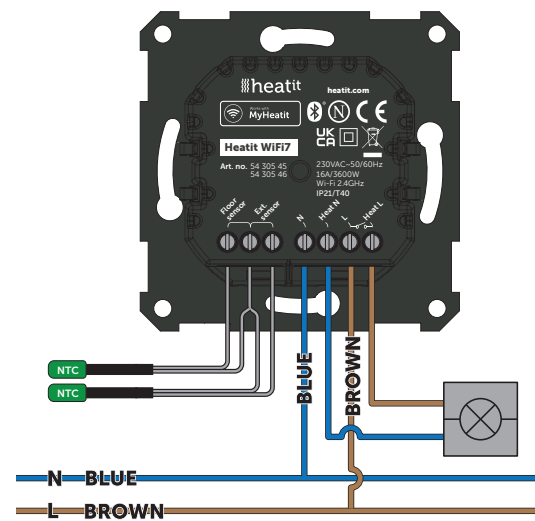
Max tightening torque terminal screws: 2Nm.

If the cable used has multiple strands using a end sleeve is advised. The product allows for wiring of cables with a cross section of up to 1x2.5mm².

The screw terminals are accessible at the back of the device.



- Floor sensor** NTC type 6.8, 10, 12, 15, 22, 33, 47 or 100kΩ. Default 10kΩ.
- External sensor** NTC type 6.8, 10, 12, 15, 22, 33, 47 or 100kΩ. Default 10kΩ.
- N** Power connection (Neutral) 230VAC.
- Heat N** Heating cable N connection.
- L** Power connection (Live) 230VAC.
- Heat L** Heating cable L connection.



INSTALLATION

Position the thermostat and mount it into the junction box using 2 screws. Position the thermostat front over the part mounted in the junction box, then carefully press the front until it clicks into place. In order to get power metering values, the load needs to be connected to both heating L + N.

Never change the front from one thermostat to another.

WI-FI NETWORK SELECTION

The device supports 2.4 GHz networks only.

ADD/REMOVE

Please read this before installation

Upon connecting the device to power, it will automatically enter add mode for a duration of 60 minutes. During this time the device can be added to the App without starting add mode locally on the device

To remove a device, find the device in the "MyHeatit" App and choose "Delete this device". If this is not possible, perform a "Factory reset"

Wi-Fi and Bluetooth

Manual add mode is indicated on the device by rotating LED segments in the display. It indicates this for 90 seconds until a timeout occurs, or until the device has been added to the network. Add mode may also be cancelled by performing the same procedure as for starting add mode.

Automatic add mode is not shown but is active for 60 minutes after power is applied if the device is not already included.

To include the device in the app, using either Wi-Fi or Bluetooth

1. Ensure device is in either manual, or automatic add mode.
 - 1.1 Manual add mode
 - Hold the Center button for 5 seconds. The display will show "OFF".
 - Press the Down button once to see "CON" in the display.
 - Press the Center button and go to "APP".
 - Start the configuration mode on the device by holding the Center button for approximately 2 seconds.
 - 1.2 Automatic add mode
 - Power on the device and proceed within 60 minutes
2. In the "MyHeatit" App, choose "Add Device".
3. Choose Wi-Fi or Bluetooth.
4. Search for your device and select it or scan the QR code.

When a device is added to Bluetooth it is not accessible from the internet. You need to be within Bluetooth range of the device to control it.

The device is now ready for use with default settings.

NB! When the device is removed from the "MyHeatit" App, the parameters are reset. If inclusion fails, please perform a "Factory reset".

CHOICE OF SENSOR

The thermostat has multiple sensors and sensor modes. This lets you configure the thermostat to work correctly in most installations. The sensor mode/operating is selected from the menu option "OPER", or by setting Parameter "Sensor mode" ("OPER").

Available temperature sensors:

- F** Floor sensor
- A** Internal room sensor
- AF** Internal room sensor + Floor sensor
- A2** External room sensor
- A2F** External room sensor + Floor sensor
- PWER** Power regulator mode (no sensor used)
- EXT** External wireless sensor
- RELA** Relay functionality

Floor Sensor Requirement and Temperature Limiting

The temperature limits are by default minimum 5°C and maximum 40°C. Some types of flooring require the use of a floor sensor to ensure that the floor temperature does not exceed 27°C. Refer to the floor manufacturer's manual for specific guidelines. When the thermostat operates in AF or A2F mode, the floor temperature limiter is automatically set to 27°C (default). In all other sensor modes (A, F or A2), the temperature limits are set to minimum 5°C and maximum 40°C.

FACTORY RESET

Enter the menu by holding the center button for about 5 seconds, navigate in the menu with the "+" button till you see "FACT". Press the center button until you see "-- --" blinking in the display, then hold for about 5 seconds to perform a reset. You may also initiate a reset by holding the right and center buttons for 60 seconds.

When either of these procedures has been performed, the thermostat will perform a complete factory reset. The device will display "RES" for 5 seconds while performing a factory reset. When "RES" is no longer displayed, the thermostat has been reset.

ERROR CODES

If you encounter an error code, try removing and reattaching the front of the thermostat to restart the device. If the issue persists, it is recommended to contact an electrician or support for further assistance.

- Err** Adding fail
See Manual: Chapter "Add/remove".
- Err1** Internal error
Most probably a faulty unit. Contact support.
- Err2** WiFi-BLE error
Most probably a faulty unit. Contact support.
- Err3** Internal error
Most probably a faulty unit. Contact support.
- Err4** Floor sensor error
You have chosen F, AF or A2F sensor mode without having a floor sensor connected, or the sensor may be damaged.
- Err5** External sensor error
You have chosen A2 or A2F sensor mode without having an external sensor connected, or the sensor may be damaged.
- Err6** Overheating
Contact your electrician.
- Err7** Overload
Contact your electrician.

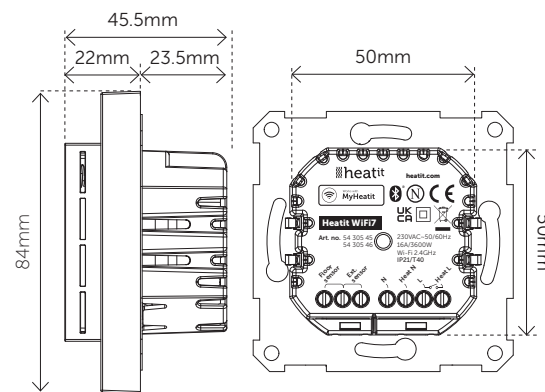
DISPLAY ICONS Thermostat

ICON	DESCRIPTION
	This icon will be displayed while the device is in Heat, ECO and is currently heating.
	This icon will be displayed while the relay is on and the device is in Cooling mode.
	This icon shows the current signal strength.
	This icon shows when it has active Bluetooth connection.

Relay

ICON	DESCRIPTION
	This icon will be displayed when the relay of the device is turned on.
	This icon shows the current signal strength.
	This icon shows when it has active Bluetooth connection.

DIMENSIONS



TECHNICAL DATA

Protocol	Wi-Fi 2.4GHz/BLE
Rated voltage	230VAC 50Hz
Max load	3600W 16A (resistive load)
Max current	16A
Power consumption	<2W
Power regulator	Time cycle 30 min.
Ambient temperature	5°C to 40°C
Regulation temperature	5°C to 40°C
Storage temperature	-30°C to 70°C
Hysteresis	0.3°C to 3.0°C (default 0.5°C)
Ambient humidity	10% to 85% RH
Compatible with NTC-sensors with values	6.8, 10, 12, 15, 22, 33, 47 or 100kΩ @ 25°C
Length NTC sensor	Max. 50 meters
Screw terminals	Max. 2.5mm ² 2Nm
IP Code	IP21
Size (LxWxH)	84 x 84 x 45.5mm

Approvals CE, Nemko

Working frequency 2.4GHz, Max output power 20dBm. The distance between user and products should be no less than 20 cm. There is no restriction to use this product across the EU countries.

Hereby, Heatit Controls AS, declares that this device is in compliance with the essential requirements another relevant provisions of Directive 2014/53/EU.

MAINTENANCE

The product is maintenance-free. Indoor use only.

Do not dispose of electrical appliances as unsorted municipal waste, use separate collection facilities. To prevent possible harm to the environment or human health from uncontrolled waste disposal, recycle it responsibly to promote the sustainable reuse of material resources. To return your used device, please use the return and collection systems or contact the retailer where the product was purchased. They can take this product for environmental safe recycling.

We develop and design our products in accordance with our strict quality requirements (ISO 9001) and environmental requirements (ISO 14001). All electrical installations must be carried out by an authorized electrical installer. The product must be installed in accordance with our installers manual and national building codes. Any wrongful installation, misuse, damage of the product, is not covered under warranty. Updated documentation is available at www.heatit.com and/or documents.heatit.com. Heatit Controls AS can not be held liable for any type of errors or omissions in our product information. Product specifications may change without further notice.

Get the MyHeatit app for your device here

GET IT ON Google Play

Available on the App Store

Downtime related to the App or cloud/service platform is not covered by the warranty.

Scan the QR code for direct access

- Installation and user manual
- Other languages

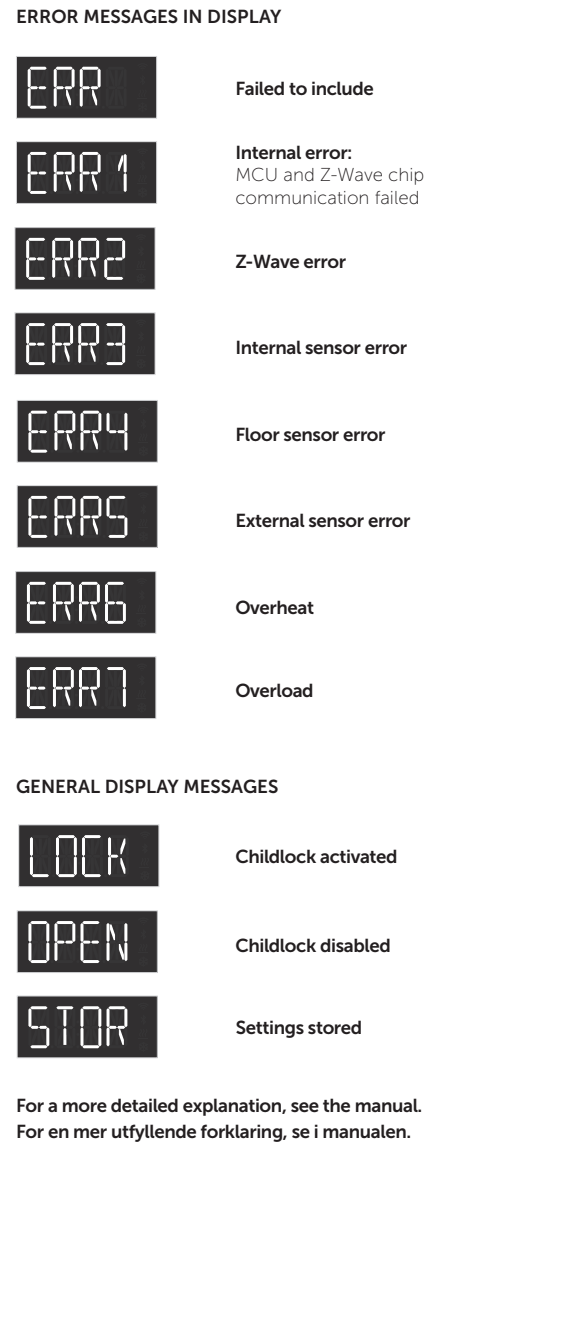
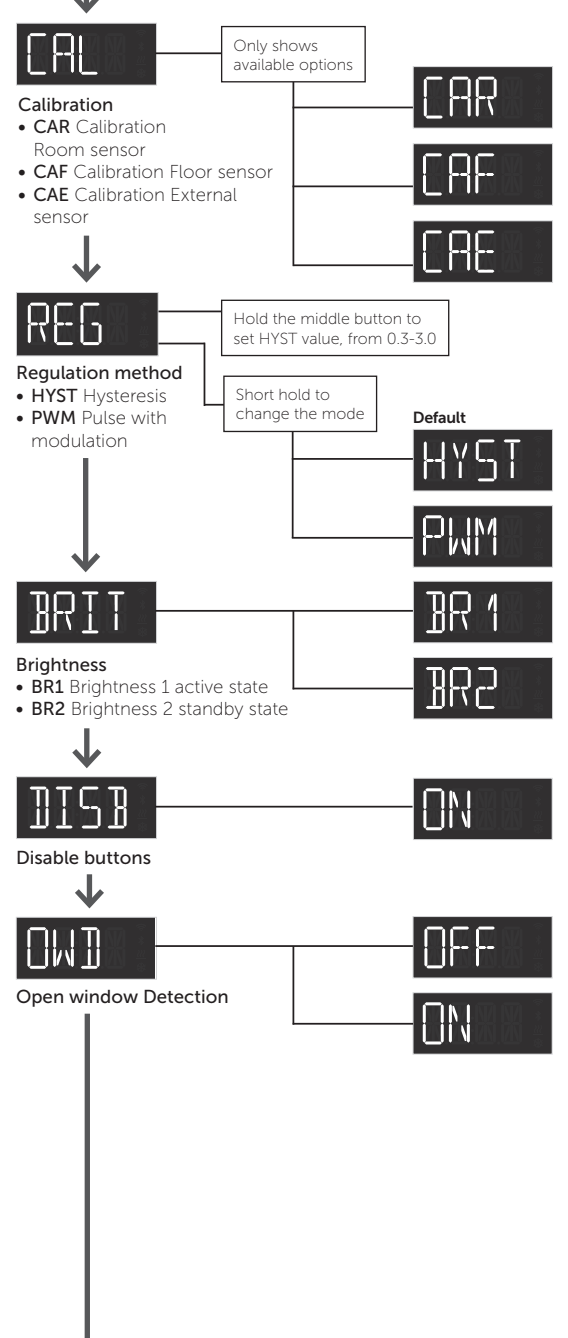
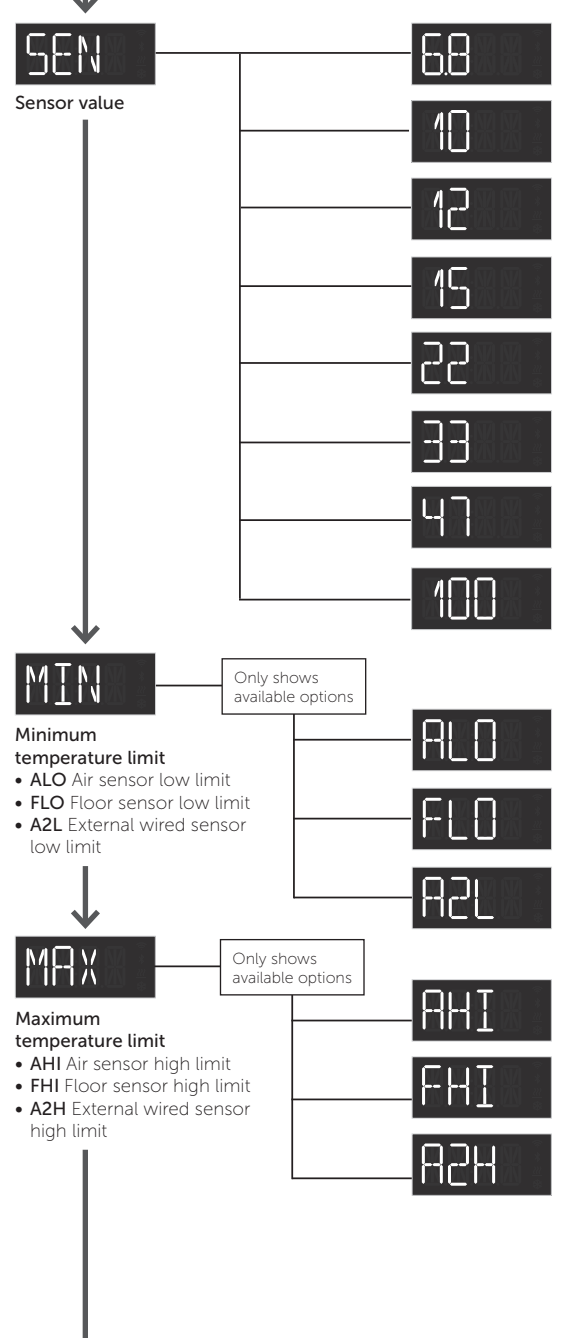
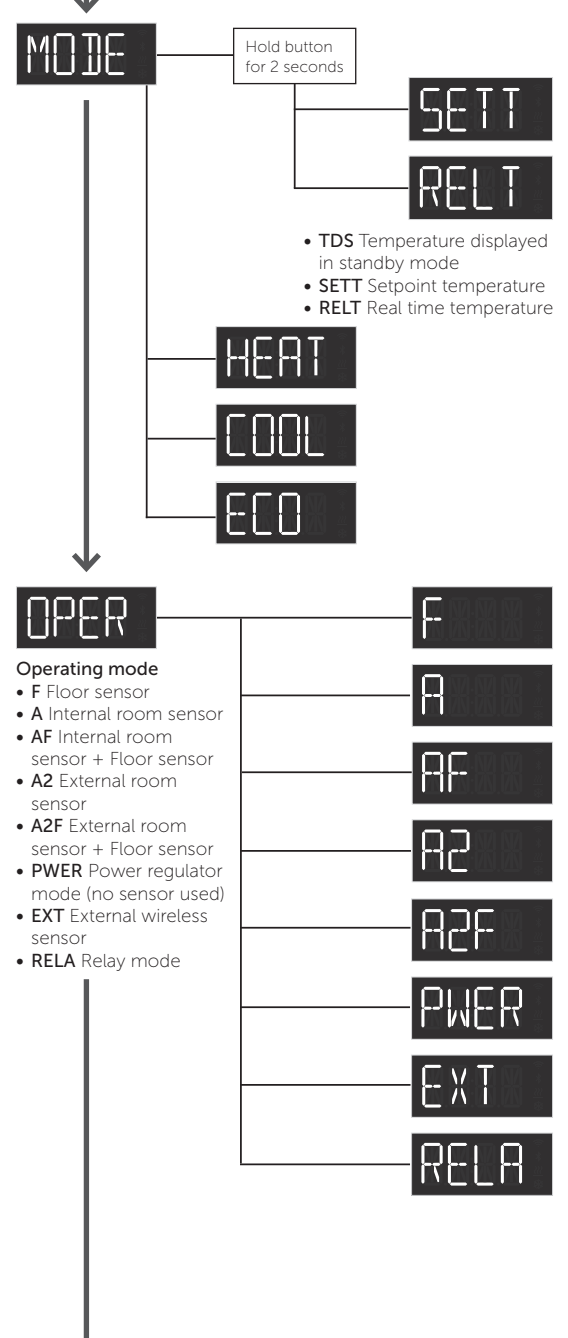
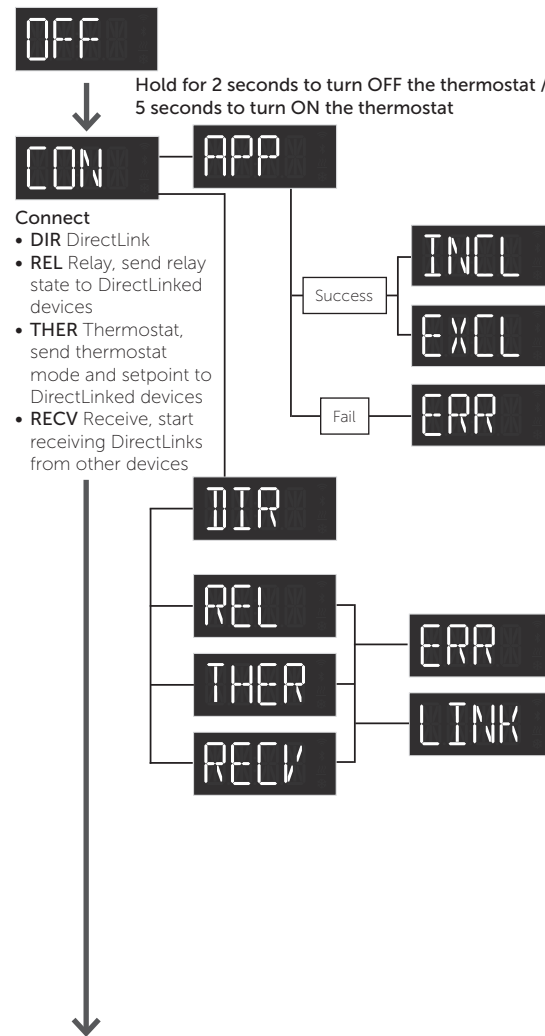
Heatit WiFi7

HEATIT WIFI7 CHART - Display Menu Structure



Article no. 54 305 45 54 305 46	Doc. version 2026-A	Doc. date 01.04.2026
---------------------------------------	------------------------	-------------------------

Hold the middle button for 5 seconds to enter menu.



For a more detailed explanation, see the manual.
For en mer utfyllende forklaring, se i manualen.

Scan the QR code for direct access

- Installation and user manual
- Other languages

Heatit WiFi7

Do not dispose of electrical appliances as unsorted municipal waste, use separate collection facilities. To prevent possible harm to the environment or human health from uncontrolled waste disposal, recycle it responsibly to promote the sustainable reuse of material resources. To return your used device, please use the return and collection systems or contact the retailer where the product was purchased. They can take this product for environmental safe recycling.

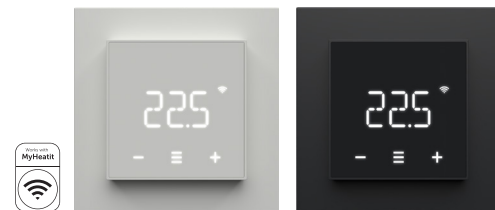
We develop and design our products in accordance with our strict quality requirements (ISO 9001) and environmental requirements (ISO 14001). All electrical installations must be carried out by an authorized electrical installer. The product must be installed in accordance with our installers manual and national building codes. Any wrongful installation, misuse, damage of the product, is not covered under warranty. Updated documentation is available at www.heatit.com and/or documents.heatit.com. Heatit Controls AS can not be held liable for any type of errors or omissions in our product information. Product specifications may change without further notice.

HEATIT WIFI7

Quick Guide

EL-nummer 54 305 45 54 305 46	Dok. versjon 2026-A	Dok. dato 01.04.2026
---	-------------------------------	--------------------------------

Wi-Fi



Hvit RAL 9003
54 305 45

Sort matt
54 305 46

INNLEDNING

Heatit WiFi7 er en elektronisk termostat designet for elektrisk oppvarming og vannbåren varme. Heatit WiFi7 kan også fungere som et relé, noe som muliggjør enkel Av/På styring. Termostaten kan styres via Wi-Fi eller Bluetooth (BLE) ved bruk av "MyHeatit"-appen eller med knappene på fronten av termostaten. Termostaten har et brukervennlig grensesnitt, og en lettlest og oversiktlig 14 segmenters LED skjerm

Heatit WiFi7 har 3 moduser: Heat, Cool og Eco.

Monteres i standard veggboкс og passer inn i System 55 rammer. Termostaten har metallramme for solid innfesting i koblingsboks. Den har en intern temperaturføler, men kan også tilkobles to eksterne temperaturfølere.

Alle Heatit-produkter med Wi-Fi-støtte og merket med MyHeatit-logoen, kan styres via vår "MyHeatit"-app. I appen kan du opprette profiler som "Hjemme", "Borte", "Natt" og "Jobb" for enklere styring, overvåking og organisering av dine tilkoblede enheter, eller styre de via ukesprogram.

Installatøren konfigurerer systemet via Wi-Fi. Om Wi-Fi ikke er tilgjengelig for installatøren, kan systemet konfigureres via Bluetooth. Etter at systemet er satt opp kan installatøren overføre eiendommen til kunden. Kunden kan deretter legge systemet til sitt lokale Wi-Fi-nettverk.



Ved bruk av WiFi kan termostaten kommunisere via et lokalt API, der brukeren kan integrere enheten med en lokal gateway, server eller kontroller som tilbyr en slik tjeneste, uten å måtte koble den til skyen. Enheten støtter også Amazon Alexa og Google Home

Termostaten kan kobles trådløst til andre enheter via DirectLink og BlueFusion. Den kan styres av andre termostater, og kan også styre andre termostater og releer.

Heatit WiFi7 har aktiv strømmåling og gir deg deg oversikt over forbruket i sanntid. Den lar deg også stille inn effekten manuelt hvis termostaten skal kobles til en kontaktor.

Produktet har implementert ZeroX™ teknologi. Denne tekniske løsningen sørger for at releet slår inn og ut ved 0V, dermed oppnår vi betydelig lengre levetid på releet.

KOMPATIBILITET MED ELEKTRISK LAST

Termostaten er spesielt utviklet for resistive laster. Ved styring av store resistive, kapasitive eller induktive laster, er det viktig å bruke en passende kontaktor for å beskytte termostaten mot overlast og sikker drift.

Termostaten tåler en resistiv belastning på maks 16A/3600W ved 230VAC. Vi anbefaler bruk av kontaktor for belastninger over 13A.

KRAV VED INSTALLASJON

Produktet skal installeres av autorisert installatør i henhold til norske byggforskrifter. Før installasjonen må all strømtilførsel til enheten kobles fra. Spenningen til enheten MÅ TIL ENHVER TID være frakoblet under montering.

QUICK START

Når enheten er koblet til strøm, går den automatisk i inkluderingsmodus i en periode på 60 minutter.

1. Koble fra strømtilførselen (skru av sikringen).
2. Åpne koblingsboksen.
3. Koble kablene til termostaten i henhold til beskrivelsen i avsnittet "Koblinger". Koble til eventuelle eksterne sensorer.
4. Etter å ha verifisert tilkoblingene, slå på strømtilførselen.
5. I "MyHeatit"-appen, velg "Legg til enhet", skriv inn Wi-Fi detaljene dine, søk etter og velg enheten din.
6. Displayet vil vise "INCL" når termostaten har blitt inkludert.

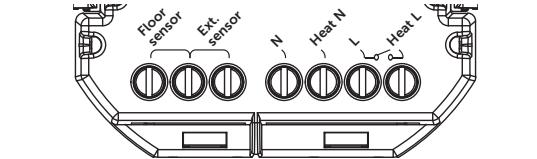
NB! Hvis termostaten ikke ble inkludert/ekskludert vil "Err" (error) vises i displayet.

KOBLINGER

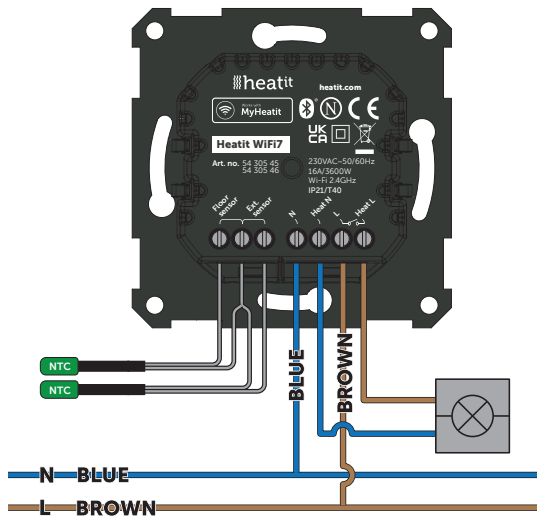
Tiltrekningsmoment klemmer maks 2Nm.

Hvis kablen som brukes har flere tråder/kordeler anbefales det å bruke en endehylse. Produktet gir mulighet for tilkobling av kabler med tverrsnitt på opptil 1x2,5mm².

Skruterminalene er tilgjengelige på bakstykket av enheten.



Floor sensor NTC-type 6.8, 10, 12, 15, 22, 33, 47 eller 100kΩ. Standard 10kΩ.
External sensor NTC type 6.8, 10, 12, 15, 22, 33, 47 eller 100kΩ. Standard 10kΩ.
N Strømtilkobling (Nøytral) 230VAC
Heat N Varmekabel N (Nøytral).
L Strømtilkobling (Live) 230VAC.
Heat L Varmekabel L (Live).



INSTALLASJON

Plassér termostaten i koblingsboksen og skru den fast med 2 skruer. Fronten på termostaten plasseres over den delen som er montert i koblingsboksen, trykk deretter forsiktig på fronten til den klikker på plass. For å få verdier for strømmåling, må belastningen kobles til både L + N for oppvarming.

Bytt aldri fronten fra en termostat til en annen.

WI-FI NETWORK SELECTION

Enheten støtter kun 2,4 GHz-nettverk.

INKLUDERING/EKSKLUDERING

Vennligst les dette før installasjon

Når enheten kobles til strøm, vil den automatisk gå i inkluderingsmodus i 60 minutter. I løpet av denne tiden kan enheten legges til i appen uten å starte inkluderingsmodus på selve enheten.

For å fjerne en enhet, finn enheten i "MyHeatit"-appen og velg "Slett denne enheten". Hvis dette ikke er mulig, utfør en "Fabrikkinnstilling".

Wi-Fi og Bluetooth inkludering

Manuell inkluderingsmodus indikeres på enheten ved "roterende" LED segmenter som vises på skjermen. Dette indikeres i 90 sekunder til en timeout oppstår, eller til enheten er lagt til nettverket. Inkluderingsmodus kan også avbrytes ved å utføre samme prosedyre som brukes til å starte inkluderingsmodus.

Automatisk inkluderingsmodus vises ikke, men er aktivt i 60 minutter etter at strøm er tilkoblet enheten dersom enheten ikke allerede er inkludert.

For å inkludere enheten i appen, ved bruk av enten Wi-Fi eller Bluetooth

1. **Kontroller at enheten er i enten manuell 1.1, eller automatisk inkluderingsmodus 1.2.**
 - 1.1. **Manuell inkluderingsmodus**
 - Hold midtknappen inne i 5 sekunder. Displayet vil vise "OFF".
 - Trykk ned-knappen én gang for å se "CON" i displayet.
 - Trykk på den midtre knappen og gå til "APP".
 - Start konfigurasjonsmodus på enheten ved å holde midtknappen inne i ca. 2 sekunder.
 - 1.2. **Automatisk inkluderingsmodus**
 - Slå på enheten og fortsett innen 60 minutter
2. I "MyHeatit"-Appen, velg "Legg til enhet".
3. Velg Wi-Fi eller Bluetooth
4. Søk etter enheten din og velg den, eller scan QR koden.

Når en enhet legges til via Bluetooth, er den ikke tilgjengelig fra internett. Du må være innenfor Bluetooth-rekkevidde for å styre enheten.

Enheten er nå klar til bruk med standardinnstillinger.

NB! Når enheten fjernes fra "MyHeatit"-Appen, blir parameterne tilbakestilt.

Hvis inkludering mislykkes, vennligst utfør en "Fabrikkinnstilling".

VALG AV FØLER

Termostaten har flere følere og følermoduser. Dette lar deg konfigurere termostaten til å fungere riktig i de fleste installasjoner.

Tilgjengelige temperaturfølere:

F Gulvføler
A Romføler
AF Romføler + gulvføler
A2 Ekstern romføler
A2F Ekstern romføler + gulvføler
PWER Effekregulator (uten føler)
EXT Ekstern trådløs sensor
RELA Reléfunksjon

Krav til gulvsensor og temperaturbegrensning

Temperaturgrensene er minimum 5°C og maksimum 40°C (standard).

Noen typer gulvbelegg krever bruk av en gulvføler for å sikre at gulvtemperaturen ikke overstiger 27°C. Se gulvprodusentens manual for spesifikke retningslinjer. Når termostaten opererer i AF- eller A2F-modus, blir maksbegrensningen til gulvføleren automatisk satt til 27°C (standard).

I alle andre følermoduser (A, F eller A2) er temperaturgrensene satt til minimum 5°C og maksimum 40°C.

FABRIKKINSTILLING

Gå inn i menyen ved å holde senterknappen inne i ca. 5 sekunder, navigér i menyen med "+" knappen til du ser "FACT". Trykk på senterknappen til du ser "--" blinke i displayet, og hold deretter knappen inne i ca. 5 sekunder for å utføre en tilbakestilling. Du kan også starte en tilbakestilling ved å holde inne høyre- og senterknappen i 60 sekunder.

Når en av disse prosedyrene er utført, vil termostaten utføre en fullstendig tilbakestilling til fabrikkinnstilling. Enheten vil vise "RES" i 5 sekunder mens den utfører tilbakestillingen. Når "RES" ikke lenger vises, er termostaten tilbakestilt.

FEILKODER

Hvis du opplever en feilkode, kan du prøve å ta av og på fronten på termostaten for å restarte den. Hvis problemet vedvarer, anbefales det å kontakte en elektriker eller support for videre hjelp.

Err	Feil ved inkludering/Ekskludering Se manual: Kapittel "Add/remove".
Err1	Systemfeil Trolig defekt enhet. Kontakt support.
Err2	Radio feil Trolig defekt enhet. Kontakt support.
Err3	Systemfeil Trolig defekt enhet. Kontakt support.
Err4	Feilmelding gulvføler Du har valgt F, AF eller A2F uten at det er koblet til gulvføler eller at gulvføler er defekt.
Err5	Feilmelding eksternføler Du har valgt A2 eller A2F uten at det er koblet til en eksternføler eller at eksternføler er defekt.
Err6	Høy temperatur Kontakt en elektriker.
Err7	Overbelastning Kontakt en elektriker.

DISPLAY-IKONER

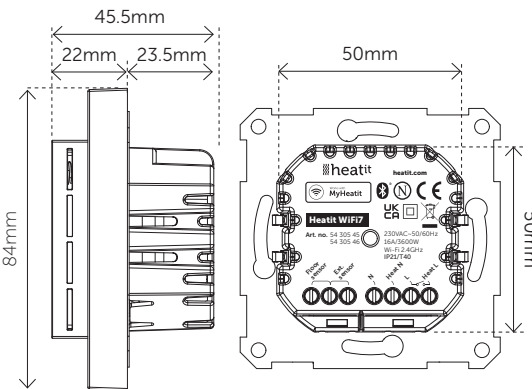
Termostat

IKON	BESKRIVELSE
	Dette ikonet vises når enheten enten er i Heat eller i ECO modus, og den varmer.
	Dette ikonet vises når reléet er på og enheten er i "Cool"-modus.
	Dette ikonet viser den aktuelle signalstyrken.
	Dette ikonet vises når enheten har aktiv Bluetooth tilkobling.

Relay

IKON	BESKRIVELSE
	Dette ikonet vises når releet til enheten er på.
	Dette ikonet viser den aktuelle signalstyrken.
	Dette ikonet vises når enheten har aktiv Bluetooth tilkobling.

DIMENSJONER



TEKNISKE DATA

Protokoll	Wi-Fi 2.4GHz/BLE
Spenning	230VAC 50Hz
Maks belastning	3600W 16A (resistiv last)
Maks strøm	16A
Effektforbruk	<2W
Effekregulator	Tidsyklus 30 min
Omgivelsestemperatur	5°C til 40°C
Reguleringstemperatur	5°C til 40°C
Lagringstemperatur	-30°C til 70°C
Hysteres	0.3°C til 3.0°C (standard 0.5°C)
Omgivelsesfuktighet	10% to 85% RH
Kompatibel med NTC-følere med verdi	6.8, 10, 12, 15, 22, 33, 47 og 100kΩ @ 25°C
Lengde på NTC føler	Maks. 50 meter
Tilkoblingsklemmer	Maks. 2,5mm ² 2Nm
IP-klasse	IP21
Størrelse (LxBxH)	84 x 84 x 45,5mm

Sertifisering CE, Nemko

Frekvens 2,4GHz, Maks. effektnivå 20dBm. Avstanden mellom bruker og produkt bør være mer enn 20 cm i drift. Det er ingen begrensning på bruk av dette produktet i EU-landene.

Heatit Controls AS erklærer at denne enheten er i samsvar med de grunnleggende kravene og andre relevante bestemmelser i Direktiv 2014/53/EU.

VEDLIKEHOLD

Produktet trenger ikke vedlikehold. Kun for innendørs bruk.



Finn MyHeatit-appen til din enhet her



Nedetid for app eller sky/nettjeneste faller ikke inn under garantien.

Skann QR-koden for direkte tilgang

- Installasjonsmanual
- Andre språk



heatit
CONTROLS

Designed in Norway

Org. doc. 01.04.2026

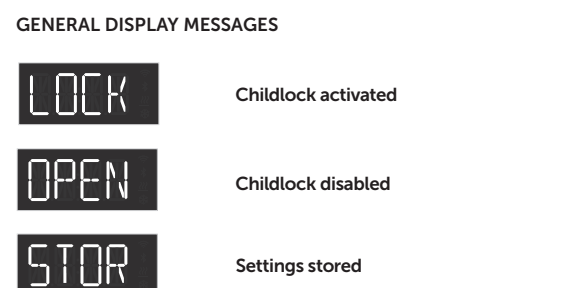
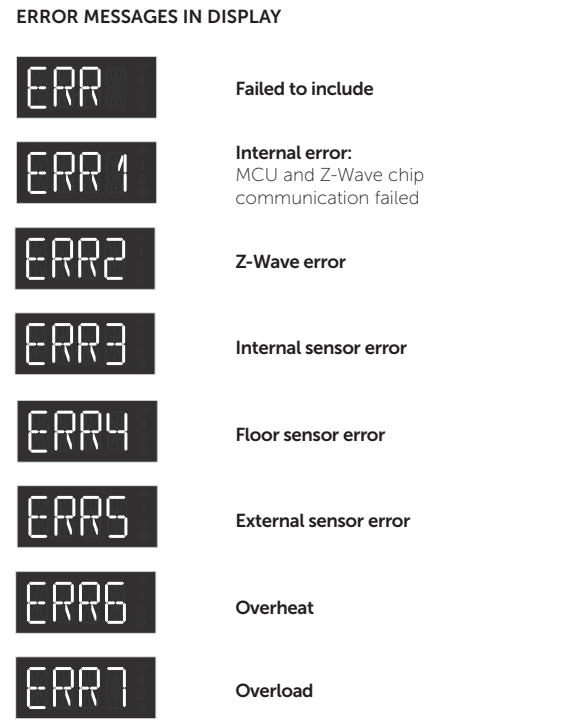
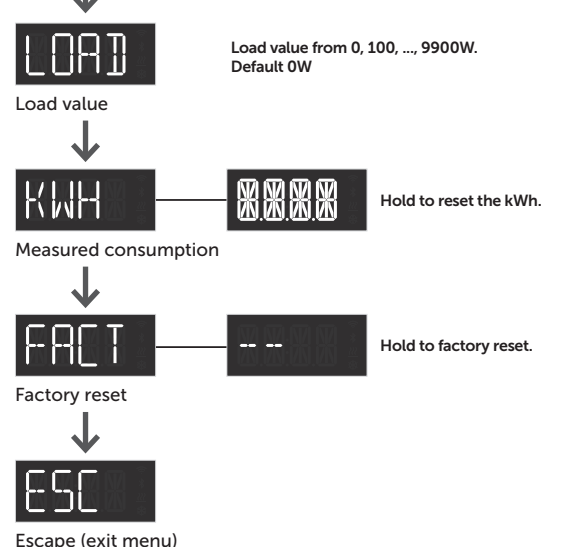
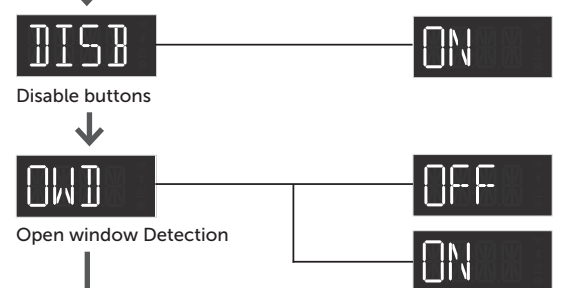
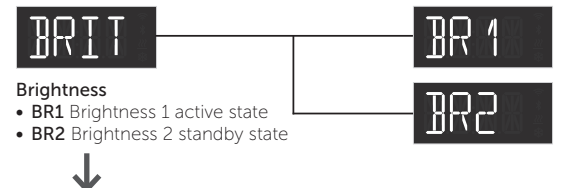
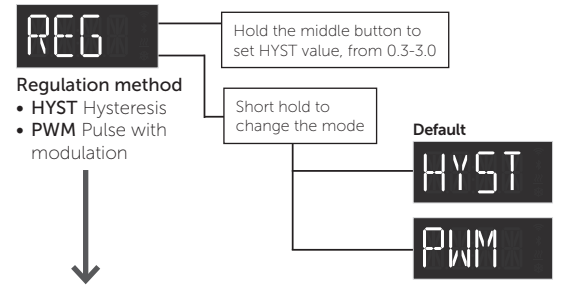
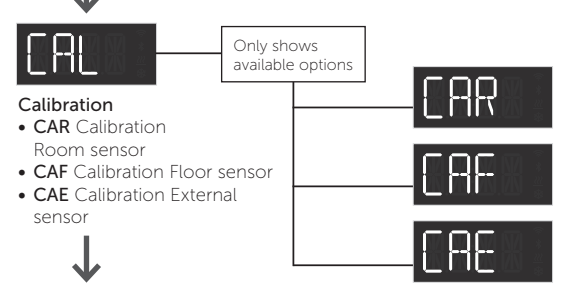
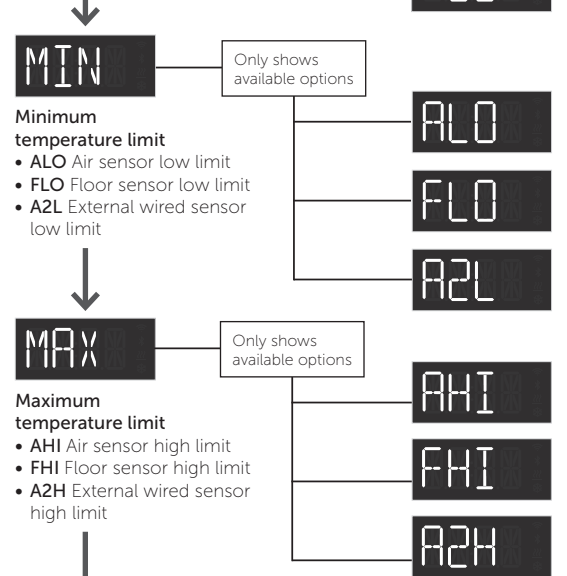
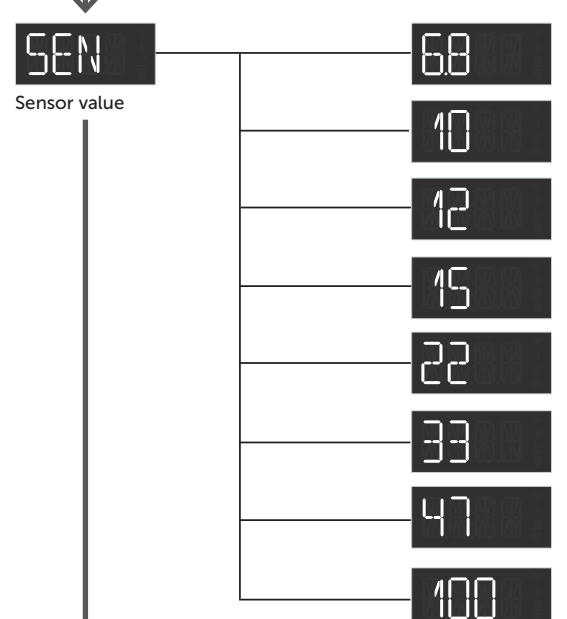
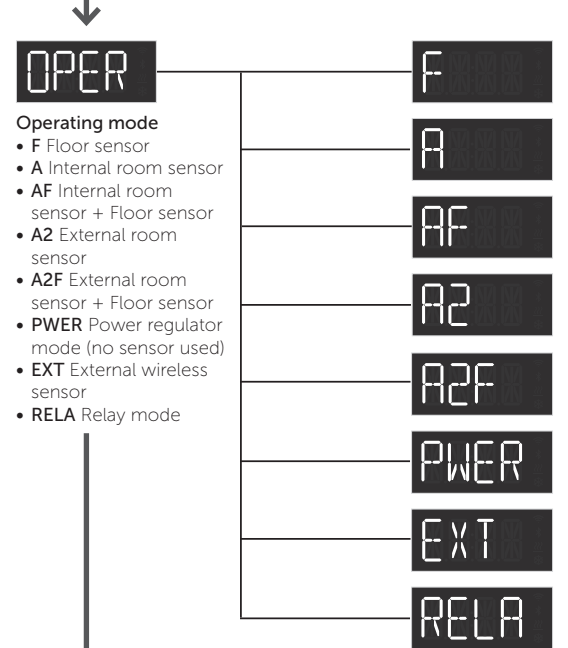
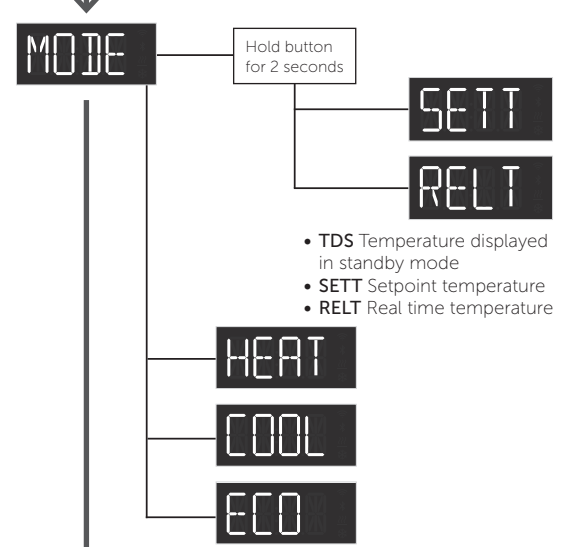
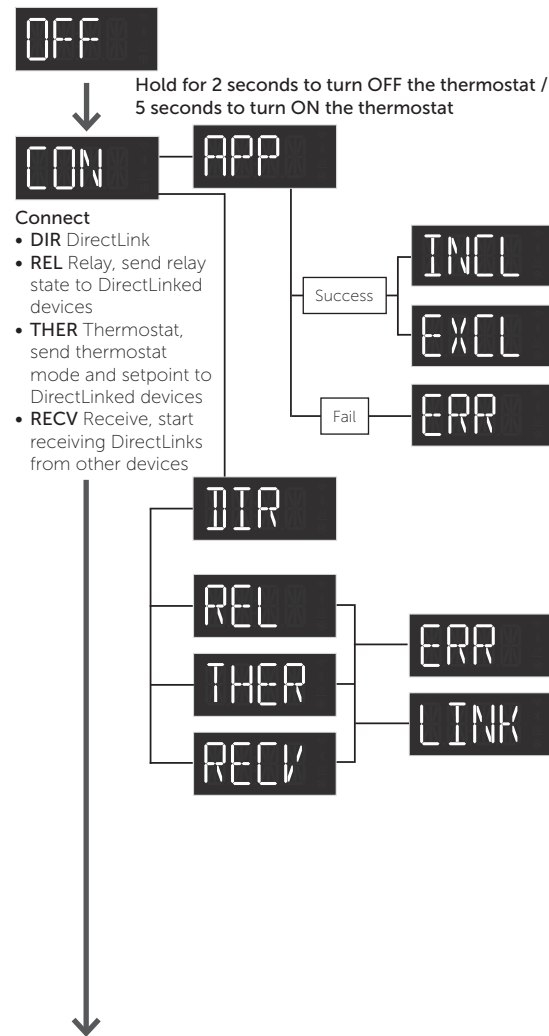
Heatit Controls AS | Mattisrudsvingen 19, 2827 HUNNDALEN, NORWAY
Tlf: +47 61 18 77 77 | post@heatit.com - www.heatit.com

HEATIT WIFI7 CHART - Display Menu Structure



Article no. 54 305 45 54 305 46	Doc. version 2026-A	Doc. date 01.04.2026
---------------------------------------	------------------------	-------------------------

Hold the middle button for 5 seconds to enter menu.



For a more detailed explanation, see the manual.
For en mer utfyllende forklaring, se i manualen.

Scan the QR code for direct access

- Installation and user manual
- Other languages

Heatit WiFi7

Do not dispose of electrical appliances as unsorted municipal waste, use separate collection facilities. To prevent possible harm to the environment or human health from uncontrolled waste disposal, recycle it responsibly to promote the sustainable reuse of material resources. To return your used device, please use the return and collection systems or contact the retailer where the product was purchased. They can take this product for environmental safe recycling.

We develop and design our products in accordance with our strict quality requirements (ISO 9001) and environmental requirements (ISO 14001). All electrical installations must be carried out by an authorized electrical installer. The product must be installed in accordance with our installers manual and national building codes. Any wrongful installation, misuse, damage of the product, is not covered under warranty. Updated documentation is available at www.heatit.com and/or documents.heatit.com. Heatit Controls AS can not be held liable for any type of errors or omissions in our product information. Product specifications may change without further notice.