



HEATIT DIN SMART THERMOSTAT

Thermostat for DIN-Rail 3600W/16A

Art.no 5430459

GTIN 7071236018568

Smart DIN Thermostat. Heatit DIN Smart Thermostat is an electronic multifunction thermostat designed for electrical heating. The thermostat can be controlled through Z-Wave® via a Z-Wave gateway. It can also be controlled using Modbus RS-485 and the buttons on the front of the thermostat. The thermostat features a user-friendly interface.

The Heatit DIN Smart Thermostat is a versatile solution for both residential and industrial use. It functions as a standard floor heating thermostat, offering simple temperature control with three modes: Heat, Cool, and Eco. With the DIN Smart Thermostat you get precise temperature control for a variety of applications.

The thermostat clicks easily onto a standard DIN rail and can be installed in the main switchboard. The thermostat has connection for two external temperature sensors. The Heatit DIN Smart Thermostat features active power metering, providing real-time information about your power consumption. It also allows you to manually set the power metering value when connected to a contactor.

The device is equipped with ZeroX™ technology, which ensures the relay switches at 0V when turning on and off. This technology significantly extends the thermostat's lifespan.

The Heatit DIN Smart Thermostat has been developed for central control systems, with all features easily accessible via MODBUS RS-485.

The thermostat is designed specifically for resistive loads. When controlling large resistive, capacitive, or inductive loads, it is essential to use an appropriate contactor to protect the thermostat from excessive load to ensure safe operation.

The thermostat can withstand a resistive load of up to 16A/3600W at 230VAC. For loads above 13A, we recommend using a contactor.

PRODUCT FEATURES

- Smart DIN-Rail thermostat
- Z-Wave
- MODBUS 485
- - Room sensor
- - Floor sensor
- 3 modes: Heat - Cool - Eco
- Power regulator
- Temperature limiter
- Temperature calibration
- Hysteresis/PWM
- 2 temperature sensors (wired by cable)
- External antenna (not supplied with the device)
- ZeroX™ detection
- Open window detection
- Relay status icon
- Adjustable display brightness
- Single poled switch
- Lock mode/child lock
- Active power metering
- SmartStart
- Firmware update (OTA)

PRODUCT DATA

Ambient temperature range in use	5 to 40°C
Ambient temperature range in storage	-30 to 70°C
Min/max installation temperature	5 to 40°C
Min. and max ambient humidity (RH%)	10 to 85%
Material	Polycarbonate (PC)
Colour	Black Olive RAL 6015
Mounting	DIN Rail

THERMOSTAT DATA

Regulation temperature	5 to 40°C
Compatible NTC-sensors (kΩ @ 25°C)	6.8, 10, 12, 15, 22, 33, 47, 100
Power regulator	Timed cycle 0-30 minutes
Temperature sensitivity	±0,5
Error margin temperature	0,5
Hysteresis	0,3 to 3,0 (default hysteresis 0,5)
Ohm value at 25°C	10kΩ
Max length of NTC sensor	50m

ADDITIONAL INFO

IP Code	IP20
Certification	LVD, Reach, RED, RoHS
Warranty international	2 years
Customs number	90321000
Country of origin	CN

IOT / SMART HOME SPECIFIC DATA

Primary IoT Protocol	Z-Wave
Z-Wave Frequency	Z-Wave - 868.4 MHz (EU)
Z-Wave Chip	Z-Wave 800 chip
Z-Wave encryption mode	S2 Unauthenticated Class S0 S2 Authenticated Class
Min radio frequency range	40m
Push buttons	3
Temperature measurement range	-10 to 60°C
Over The Air update (OTA)	Yes

ELECTRO TECHNICAL DATA

Voltage	230VAC 50Hz
Voltage Output	230VAC 50Hz
Grounding	No
Switch type	One-pole switch
Own power usage	0.5W
Max load (resistive load)	3600W
Max load (resistive load)	16A
Connection terminals diameter	0.5 to 2.5mm ²
Max tightening torque connections	2N·m
Connection type	Screw clamps
Method of regulation	Regulation via App Button regulation



PRODUCT DIMENSIONS

Product height/diameter	85mm	Product Width	51mm
Product length	58mm	Product net weight	138g

MAINTENANCE

The device is maintenance-free. Indoor use only.

ADDITIONAL INFORMATION

Approved for use in bathrooms.

ZeroX™ Detection is pronounced Zero Cross Detection.

Heatit Controls AB declares that this product is in compliance with the essential requirements and other relevant provisions of Directive 2014/53/EU.

Standards: CE, Nemko, Z-Wave Plus

RETURN AND RECYCLING

The product must be recycled as electronic waste.

DISCLAIMER

The thermostat can withstand a resistive load of max 16A/3600W at 230VAC. We recommend a contactor for loads above 13A. The thermostat is designed for resistive loads. When using large resistive loads, and capacitive or inductive loads, use a contactor.

When used with 60Hz, the ZeroX™ will be in-active.

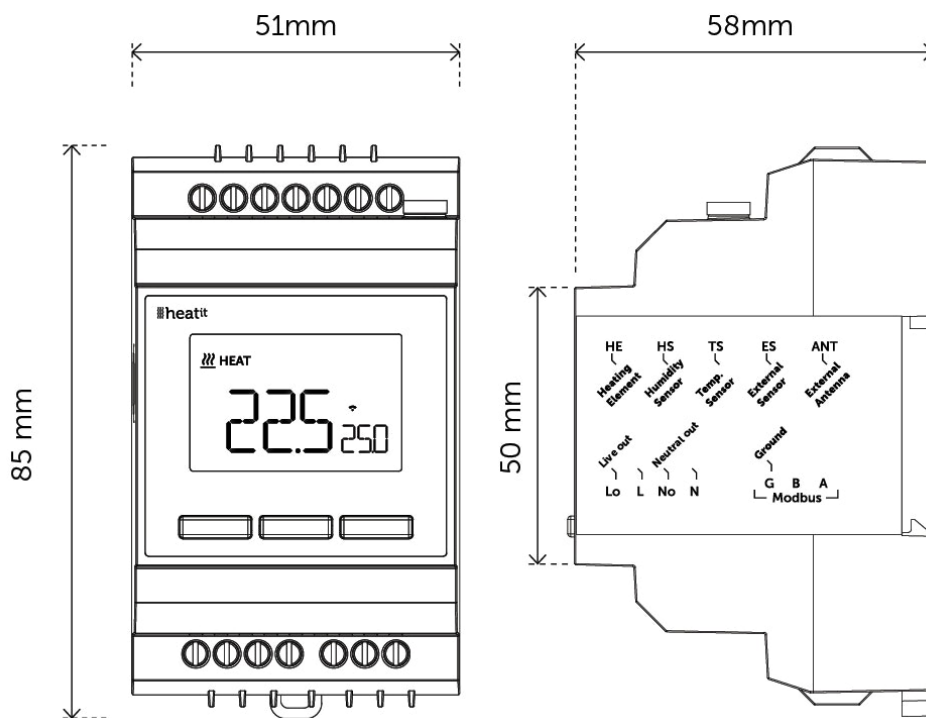
We develop and design our products according in accordance with our strict quality requirements (ISO 9001) and environmental requirements (ISO 14001).

All electrical installations must be carried out by an authorized electrical installer. The product must be installed in accordance with our installers manual and national building codes. Any wrongful installation, misuse, damage of the product, is not covered under warranty.

Updated documentation is available at www.heatit.com and/or documents.heatit.com

Heatit Controls AS can not be held liable for any type of errors or omissions in our product information.

Product specifications may change without further notice.



Heatit DIN Smart Thermostat can be ordered from
www.heatit.com/5430459

All additional documentation are available on the above adress and on documents.heatit.com/5430459

