



PRODUCT FEATURES

- Wi-Fi
- Built-in digital thermostat
- Temperature from 5°C to 40°C
- Silent control Triac
- Easy-to-read LED display
- Comfort and Eco-mode
- Open Window Detection
- Local control through control panel
- Adjustable power output from 100W to max
- Overheat protection
- Child lock
- Splash proof
- Firmware update (OTA)
- Wall bracket
- Wide range of outputs
- White or black color

HEATIT WIFI LIST 1000W WHITE

Electrical Radiator WiFi

Art.no 5430479

GTIN 7071236018377

Heatit WiFi Panel Heater/List is an electrical radiator. The convector can be controlled using the "MyHeatit" App via Wi-Fi, Bluetooth (BLE), by the buttons on the top, or through the open API over Wi-Fi. The convector has a user friendly interface.

Heatit WiFi Panel Heater has 2 modes; Comfort and Eco.

Heatit WiFi Panel Heater has a modern, slim design and is aesthetically pleasing. It is easy to install and can be either mounted on the wall or freestanding on legs (optional equipment).

The output power can be adjusted from the menu or from the app. It has child lock and open window detection. The device has an open API and supports Amazon Alexa and Google Home (Amazon Alexa and Google Home is pending).

The installer can configure the system via Bluetooth. After the system is set up, the installer can add the property to the customer. The customer can then add their devices to their local Wi-Fi network.

Heatit WiFi Panel Heater has active power metering and it gives you real time information about your power consumption.

Heatit WiFi panels are supplied both as a traditional convector and as a skirting panel heater. Heatit WiFi Panel Heaters come in outputs varying between 400W and 1500W in both white and black color schemes. Heatit WiFi List only in 1000W.

PRODUCT DATA

Voltage	230VAC
Grounding	Yes
Total gross effect	1000W
Cold lead	1.3m
Size of room	12, 16m ²
Ambient temperature range in use	5 til 40°C
Ambient temperature range in storage (°C)	-30, 70°C
Min. and max ambient humidity (RH%)	10, 85%
Material	Steel
Colour	White mat
Mounting	Mounted with bracket, Stand alone
Depth with bracket	8cm
IP Code	IP24
Certification	Reach, RoHS
EN Standards	CE, Semko
Warranty international	2 years



PRODUCT DIMENSIONS

Product height/diameter	55mm	Product Width	255mm
Product length	970mm	Product net weight	3600g

MAINTENANCE

Indoor use only.

- Cleaning:
- Switch off and unplug from the power supply before cleaning.
- Using a soft, moist cloth, with or without a mild soap solution, carefully clean the exterior surface of the product.
 - CAUTION: Allow the product to completely cool before handling or cleaning it.
 - Do not allow water or other liquids to run into the interior of the product, as this could create a fire and/or electrical hazard.
 - We also recommend the periodic cleaning of this appliance by lightly running a vacuum cleaner nozzle over the guards to remove any dust or dirt that may have accumulated inside or on the unit.
 - CAUTION: Do not use harsh detergents, chemical cleaners or solvents as they may damage the surface finish of the plastic components.

ADDITIONAL INFORMATION

Color cold lead: White

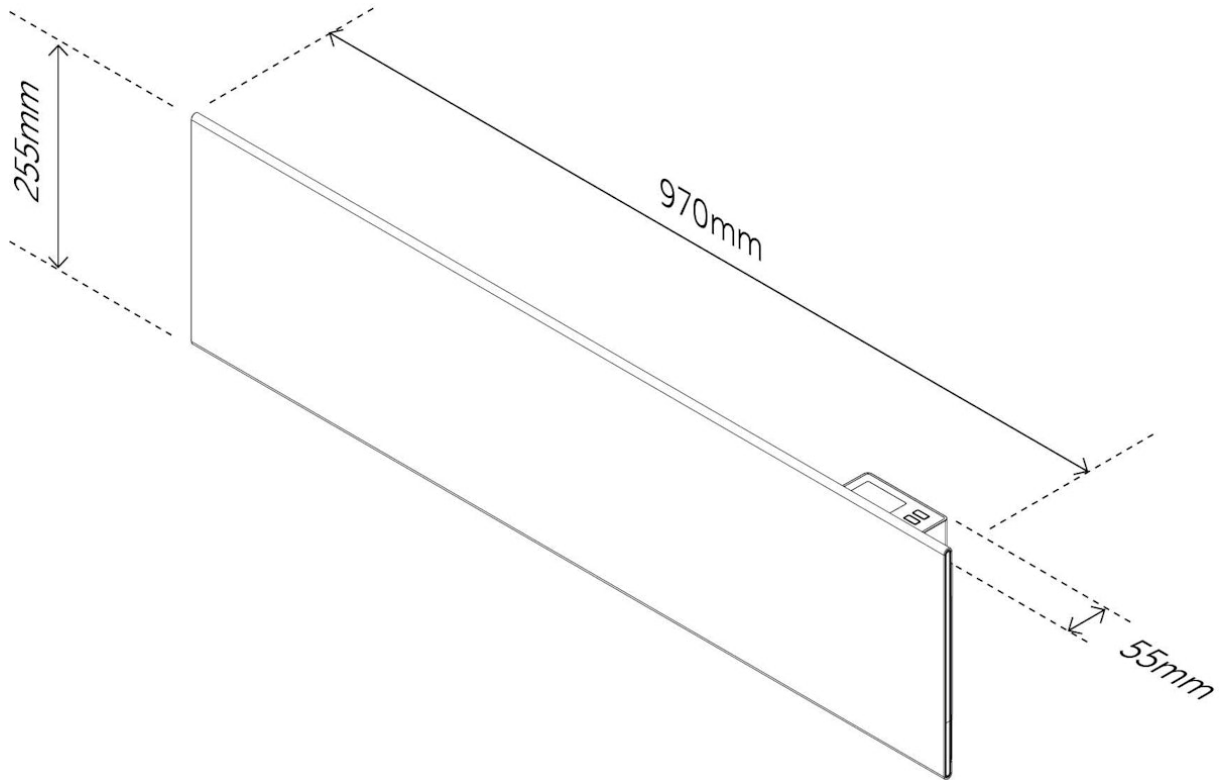
PRODUCT INFO RETURN AND RECYCLING

The product must be recycled as electronic waste.

DISCLAIMER

We develop and design our products according in accordance with our strict quality requirements (ISO 9001) and environmental requirements (ISO 14001).
All electrical installations must be carried out by an authorized electrical installer. The product must be installed in accordance with our installers manual and national building codes. Any wrongful installation, misuse, damage of the product, is not covered under warranty.

Updated documentation is available at www.heatit.com and/or documents.heatit.com
Heatit Controls AB can not be held liable for any type of errors or omissions in our product information.
Product specifications may change without further notice.



**Heatit List 1000W WIFI White can be ordered from
www.heatit.com/5430479**

All additional documentation are available on the above adress and on documents.heatit.com/5430479

