



## PRODUCT FEATURES

- Wi-Fi (2.4GHz)/BLE
- Open API for integration
- Digital thermostat
- Silent control Triac
- Easy-to-read LCD display
- Active power metering
- Open Window Detection
- Overheat protection
- Local control through control panel
- Temperature control from 5°C to 40°C
- Adjustable power output from 100W to max
- Two modes: Comfort and Eco-mode
- Tip-over protection
- Child lock
- Splash proof (IP24)
- Firmware update (OTA)
- Wall bracket
- Wide range of outputs
- White or black color

## HEATIT WIFI PANEL HEATER 600W WHITE

Electrical Radiator WiFi

**Art.no** 5430475  
**GTIN** 7071236018339

Smart panel heater. Heatit WiFi Panel Heater/List is an electrical radiator. The convector can be controlled using the "MyHeatit" App via Wi-Fi, Bluetooth (BLE), by the buttons on the top, or through the open API over Wi-Fi. The convector has a user friendly interface.

Heatit WiFi Panel Heater has 2 modes; Comfort and Eco.

Heatit WiFi Panel Heater has a modern, slim design and is aesthetically pleasing. Produced with the front in either steel or glass. It is easy to install and mount on the wall with the supplied bracket. The panel heater can also be mounted on metal feet, sold separately (Art. no. 54 305 12). Does not fit Heatit WiFi List. The panel heater has a built-in tip-over protection that automatically disconnects the power if it tips over or is incorrectly positioned.

The output power can be adjusted from the menu or from the app. It has child lock and open window detection. The device has an open API and supports Amazon Alexa and Google Home (Amazon Alexa and Google Home is pending).

The installer can configure the system via Bluetooth. After the system is set up, the installer can add the property to the customer. The customer can then add their devices to their local Wi-Fi network.

Heatit WiFi Panel Heater has active power metering and it gives you real time information about your power consumption.

Heatit WiFi panels are supplied both as a traditional convector and as a skirting panel heater in steel or glass. Heatit WiFi Panel Heaters come in outputs varying between 400W and 1500W in both white and black color schemes.

## PRODUCT DATA

Voltage	230VAC
Grounding	Yes
Total gross effect	600W
Max Surface Temperature	58°C
Cold lead	1.3m
Size of room	7 to 11m <sup>2</sup>
Ambient temperature range in use	5 to 40°C
Ambient temperature range in storage (°C)	-30 to 70°C
Min. and max ambient humidity (RH%)	10 to 85%
Material	Steel
Colour	White mat
Mounting	Freestanding With legs, Mounted with bracket
Depth with bracket	8cm
IP Code	IP24
Certification	Reach, RoHS
EN Standards	CE
Warranty international	2 years
Customs number	85162901



## PRODUCT DIMENSIONS

Product height/diameter	430mm	Product Width	55mm
Product length	500mm	Product net weight	3350g

## MAINTENANCE

Indoor use only.

Cleaning:

Switch off and unplug from the power supply before cleaning.

- Using a soft, moist cloth, with or without a mild soap solution, carefully clean the exterior surface of the product.
- CAUTION: Allow the product to completely cool before handling or cleaning it.
- Do not allow water or other liquids to run into the interior of the product, as this could create a fire and/or electrical hazard.
- We also recommend the periodic cleaning of this appliance by lightly running a vacuum cleaner nozzle over the guards to remove any dust or dirt that may have accumulated inside or on the unit.
- CAUTION: Do not use harsh detergents, chemical cleaners or solvents as they may damage the surface finish of the plastic components.

## ADDITIONAL INFORMATION

Downtime related to the app or cloud/service platform is not covered by the warranty.

White cold lead to white panel heater and black cold lead to black panel heater.

## RETURN AND RECYCLING

The product must be recycled as electronic waste.

## DISCLAIMER

If you encounter an error code try turning off the power to the panel heater, either by using the main switch or unplugging the cord, to reset the device.

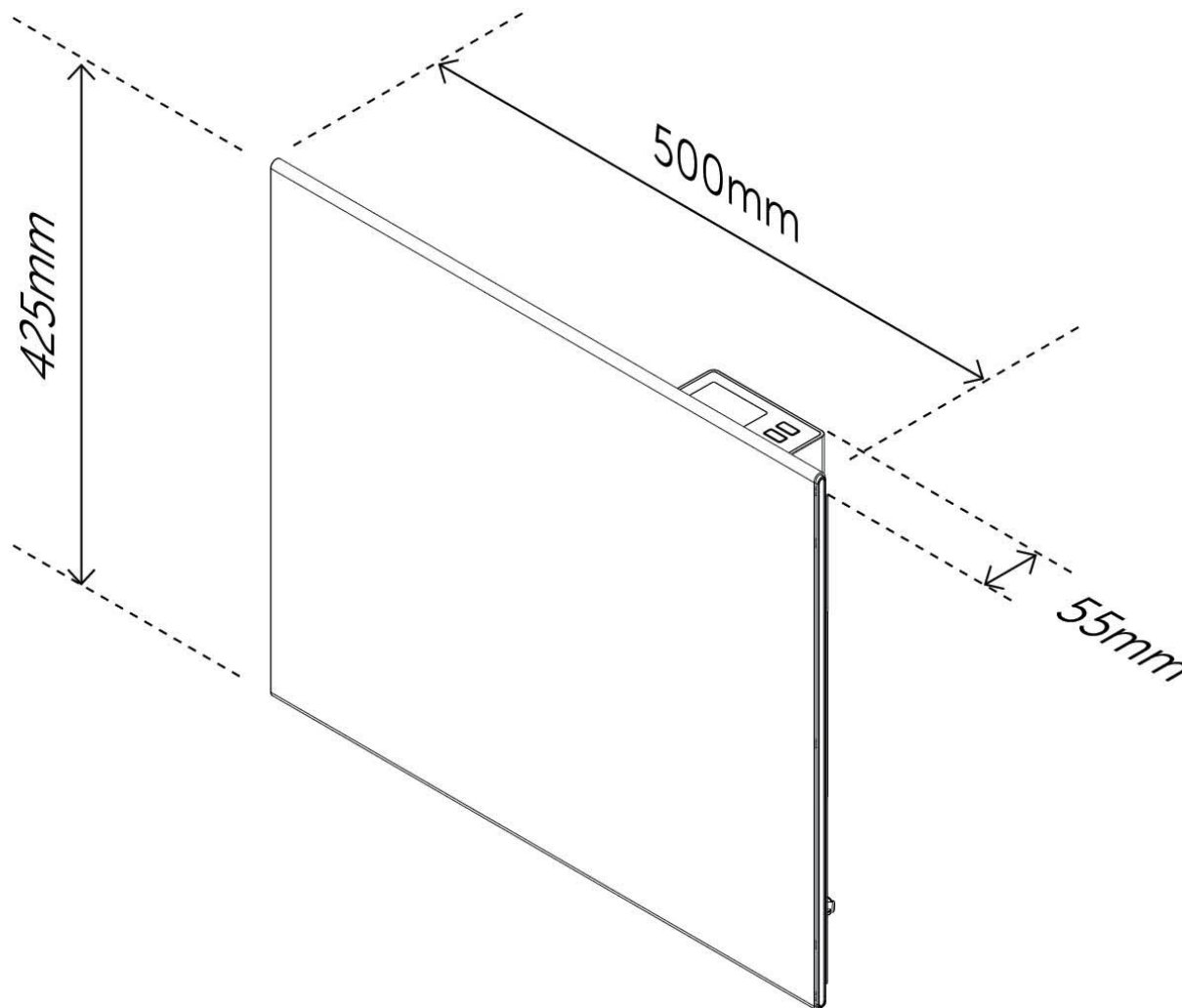
We develop and design our products according in accordance with our strict quality requirements (ISO 9001) and environmental requirements (ISO 14001).

All electrical installations must be carried out by an authorized electrical installer. The product must be installed in accordance with our installers manual and national building codes. Any wrongful installation, misuse, damage of the product, is not covered under warranty.

Updated documentation is available at [www.heatit.com](http://www.heatit.com) and/or [documents.heatit.com](http://documents.heatit.com)

Heatit Controls AS can not be held liable for any type of errors or omissions in our product information.

Product specifications may change without further notice.



**Heatit WiFi Panel Heater 600W White can be ordered from  
[shop.heatit.com/5430475](https://shop.heatit.com/5430475)**

All additional documentation are available on the above adress and on [documents.heatit.com/5430475](https://documents.heatit.com/5430475)

