



PRODUCT FEATURES

- Z-Wave
- Multifunctional smoke detector
- 230VAC
- Smoke Detection
- Temperature sensor
- Serial connection capability with other Heatit Z-Smoke Detector (230VAC) (max. 6 pcs.)
- Button to silence unwanted alarms
- Supports encryption mode S0, S2 Unauthenticated Class
- Motion sensor
- Built-in warning light
- Battery back-up
- Tamper switch
- Firmware update (OTA)

PRODUCT DATA

Colour	White
Min. and max ambient humidity (RH%)	10 til 85%
Ambient temperature range in use	5 til 40°C
Ambient temperature range in storage	5 til 40°C

STANDARDS

Certification	CE, Z-Wave Plus
IP Code	IP20

WARRANTY

Warranty international	2 years
------------------------	---------

HEATIT Z-SMOKE MULTISENSOR 230VAC WHITE

Serial fire detector with 4 functions

Art.no	4512689
GTIN	7071236015284

The Heatit Z-Smoke Multisensor is a multifunctional wireless smoke sensor for smart home systems. With its powerful features, the sensor is designed to protect the family from potential fire hazards. With its compact and streamlined design, the Heatit Z-Smoke Multisensor blends effortlessly with your home decor and gives you extra security.

The Heatit Z-Smoke Multisensor is designed to provide the sensor with more features and capabilities. Therefore, you can use optional additional features such as a built-in PIR motion sensor and temperature sensor. Heatit Z-Smoke Multisensor has a built-in PIR motion sensor. You can choose to use it to create custom scenes to light up the hallway in the middle of the night or help users save energy. The sensor's built-in warning light gives you a visual alarm and warning.

The Heatit Z-Smoke Multisensor uses a cutting-edge reflective photoelectric sensor in conjunction with an advanced microprocessor to deliver optimum performance by detecting developing fires and heat generation. When it comes to security, there is no room for compromise.

IOT / SMART HOME SPECIFIC DATA

Z-Wave Frequency	Z-Wave - 868.4 MHz (EU)
Z-Wave Chip	Z-Wave 500 chip
Min radio frequency range	40m
Over The Air update (OTA)	Ja
Max sound level (dB)	85 dB
Smoke sensor, type	Photoelectric
Range IR signal (meters)	5m
Z-Wave encryption mode	S0 S2 Authenticated Class S2 Unauthenticated Class
Primary IoT Protocol	Z-Wave

ELECTRO TECHNICAL DATA

Voltage	230VAC 50Hz
Own power usage	2.2W
Battery capacity	200mAh emergency / backup battery



MAINTENANCE

The product should be tested regularly. Vacuum or blow the dust off the smoke detector regularly. The smoke detector must be replaced every 10 years.

ADDITIONAL INFORMATION

The product must be used with a security-enabled Z-Wave Controller in order to fully utilize security/encryption.

EN 14604:2005, 14604/AC:2008

Temperature sensativity: +- 1C

PRODUCT INFO RETURN AND RECYCLING

The product must be recycled as electronic waste.

DISCLAIMER

Warranty does not apply to batteries.

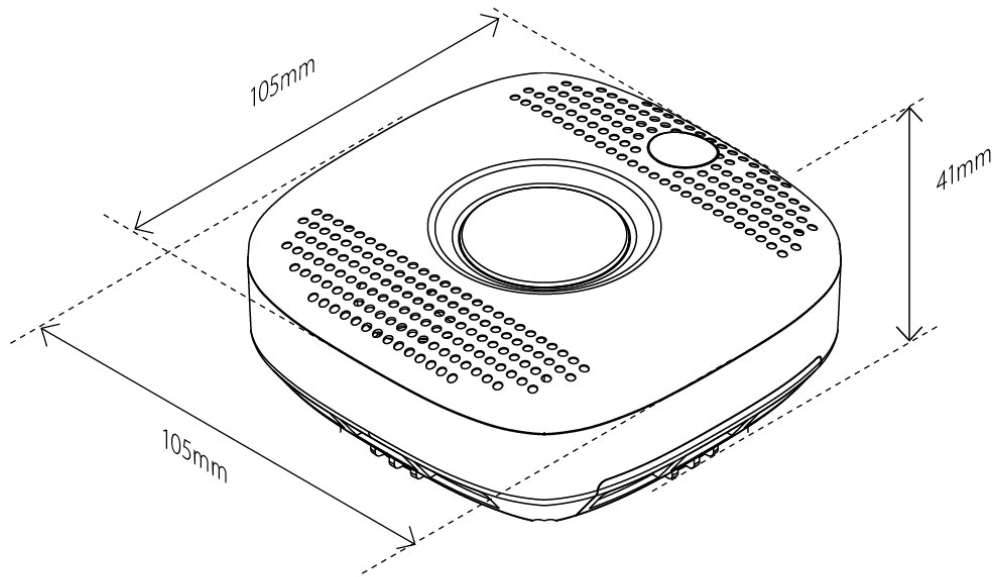
We develop and design our products according in accordance with our strict quality requirements (ISO 9001) and environmental requirements (ISO 14001).

All electrical installations must be carried out by an authorized electrical installer. The product must be installed in accordance with our installers manual and national building codes. Any wrongful installation, misuse, damage of the product, is not covered under warranty.

Updated documentation is available at www.heatit.com and/or documents.heatit.com

Heatit Controls AB can not be held liable for any type of errors or omissions in our product information.

Product specifications may change without further notice.



**Heatit Z-Smoke Multisensor 230VAC White can be ordered from
www.heatit.com/4512689**

All additional documentation are available on the above adress and on documents.heatit.com/4512689

