



## HEATIT EEZEDIM 250W WHITE RAL 9003

Rotary dimmer 5W-250W

**Art.no** 1444435

**GTIN** 7071236019466

Heatit eezedim is a rotary dimmer for many different types of light fixtures. The Heatit eezedim works on most low loads without causing flickering. Heatit eezedim is very well suited for LED.

The dimmer has the option for an external toggle switch, making it possible to turn on/off the dimmer with the external switch.

The dimmer fits in standard European junction boxes and may be used with most System 55 frames.

### PRODUCT FEATURES

- Rotary dimmer
- 2-wire
- 5W - 250W LED
- Trailing edge
- Overload protection
- Surge protection
- Overheat protection
- Min. dim level adjustable
- Max dim level auto-calibration

### PRODUCT DATA

Mounting	European Junction Box
Material	Polycarbonate (PC)
Colour	White RAL 9003
Min. and max ambient humidity (RH%)	10 to 85%
Ambient temperature range in use	5 to 40°C
Ambient temperature range in storage	-30 to 70°C

### STANDARDS

Certification	RoHS, Reach
EN Standards	CE
IP Code	IP21

### WARRANTY

Warranty international	2 years
------------------------	---------

### ELECTRO TECHNICAL DATA

Voltage	230VAC 50Hz
Method of regulation	Rotary dimming
Connection type	Screw clamps
Connection terminals diameter	0.2 to 2.5mm <sup>2</sup>
Max tightening torque connections	2N·m
Voltage Output	230VAC 50Hz



## PRODUCT DIMENSIONS

Product height/diameter	43mm	Product Width	84mm
Product length	84mm	Product net weight	76g

## MAINTENANCE

The device is maintenance-free. Indoor use only.

## ADDITIONAL INFORMATION

Dimming may be challenging, and we recommend checking the compatibility of different light sources before installation.

When connecting low loads it is recommended to use a bypass.

## PRODUCT INFO RETURN AND RECYCLING

The product must be recycled as electronic waste.

## DISCLAIMER

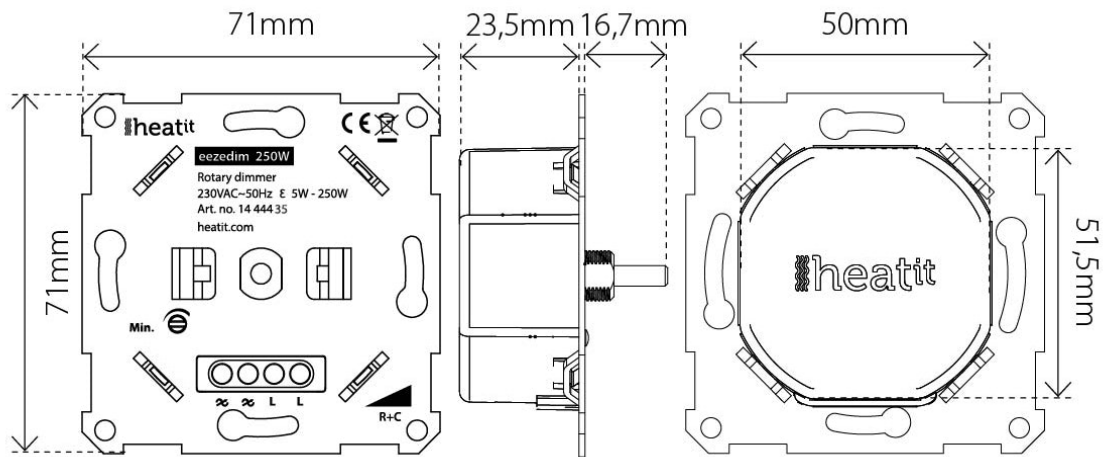
We develop and design our products according in accordance with our strict quality requirements (ISO 9001) and environmental requirements (ISO 14001).

All electrical installations must be carried out by an authorized electrical installer. The product must be installed in accordance with our installers manual and national building codes. Any wrongful installation, misuse, damage of the product, is not covered under warranty.

Updated documentation is available at [www.heatit.com](http://www.heatit.com) and/or [documents.heatit.com](http://documents.heatit.com)

Heatit Controls AB can not be held liable for any type of errors or omissions in our product information.

Product specifications may change without further notice.



**Heatit eezedim 250W White RAL 9003 can be ordered from  
[www.heatit.com/1444435](http://www.heatit.com/1444435)**

All additional documentation are available on the above adress and on [documents.heatit.com/1444435](http://documents.heatit.com/1444435)

