



## PRODUCT FEATURES

- Z-Wave thermostat
- Internal room sensor
- Floor sensor
- Temperature limiter
- Boiler control and heat pumps
- Control of actuators
- 3 modes: Heat - Cool and Eco
- Hysteresis/PWM
- Temperature calibration
- Open window detection
- External room sensor (wired by cable)
- Supports encryption modes S0, S2 Authenticated Class, S2 Unauthenticated Class
- Relay status icon
- Adjustable display brightness
- Single pole switch
- Lock mode/child lock
- Temperature readout in gateway
- Weekly schedule in gateway
- Manual power metering
- SmartStart
- Firmware update (OTA)

## PRODUCT DATA

Colour	Black
Mounting	European Junction Box
Min. and max ambient humidity (RH%)	10 til 85%
Ambient temperature range in use	5 til 40°C
Ambient temperature range in storage	-30 til 70°C
Min/max installation temperature	5 til 40°C

## THERMOSTAT DATA

Compatible NTC-sensors (kΩ @ 25°C)	6.8, 10, 12, 15, 22, 33, 47, 100
Error margin temperature	0,5°C
Temperature sensitivity	±0,5
Hysteresis	0,3 to 3,0 (default hysteresis 0,5)
Ohm value at 25°C	10kΩ
Regulation temperature	5 til 40°C

## STANDARDS

Certification	RoHS, Reach
IP Code	IP21

## WARRANTY

Warranty international	2 years
------------------------	---------

## HEATIT Z-TRM6 DC BLACK MATT

Z-Wave thermostat 3A (Dry Contact) 868.4 MHz

Art.no	5430563
GTIN	7071236019008

Heatit Z-TRM6 DC is an electronic thermostat with a potential free relay, designed for boiler control, heat pumps and actuators. The thermostat can be controlled through your Z-Wave network or via the buttons on the front of the thermostat. The thermostat has a user friendly interface.

Heatit Z-TRM6 DC has 3 modes; Heat - Cool and Eco.

The thermostat fits in standard European junction boxes and may be used with most System 55 frames. It has a sturdy metal frame for secure fastening on the junction box. The thermostat has one built-in room temperature sensor. Two additional external temperature sensors may also be connected.

Heatit Z-TRM6 DC allows you to set the power metering value manually.

The thermostat can be set up with multiple associations and can be used as a master thermostat. It can control up to 10 thermostats and 10 external relays E.g wall plugs.

## IOT / SMART HOME SPECIFIC DATA

Z-Wave Frequency	Z-Wave - 868.4 MHz (EU)
Z-Wave Chip	Z-Wave 800 chip
Alternate IoT-communication protocols	No alternative communication protocols
Min radio frequency range	40m
Over The Air update (OTA)	Ja
Push buttons	3
Temperature measurement range	5 til 40°C
Z-Wave encryption mode	S2 Authenticated Class S2 Unauthenticated Class S0
Primary IoT Protocol	Z-Wave

## ELECTRO TECHNICAL DATA

Voltage	230VAC 50Hz
Own power usage	2W
Switch type	One-pole switch
Max load (resistive load)	3A
Connection type	Screw clamps
Connection terminals diameter	0.2 til 2.5mm <sup>2</sup>
Max tightening torque connections	2N·m



## MAINTENANCE

The device is maintenance-free. Indoor use only.

## ADDITIONAL INFORMATION

Approved to be used in bathrooms.

The product must be used with a security-enabled Z-Wave Controller in order to fully utilize security/encryption.

## PRODUCT INFO RETURN AND RECYCLING

The product must be recycled as electronic waste.

## DISCLAIMER

The device has a built-in potential free relay of max 3A that is designed for the usage of up to 3x 24VDC actuators.

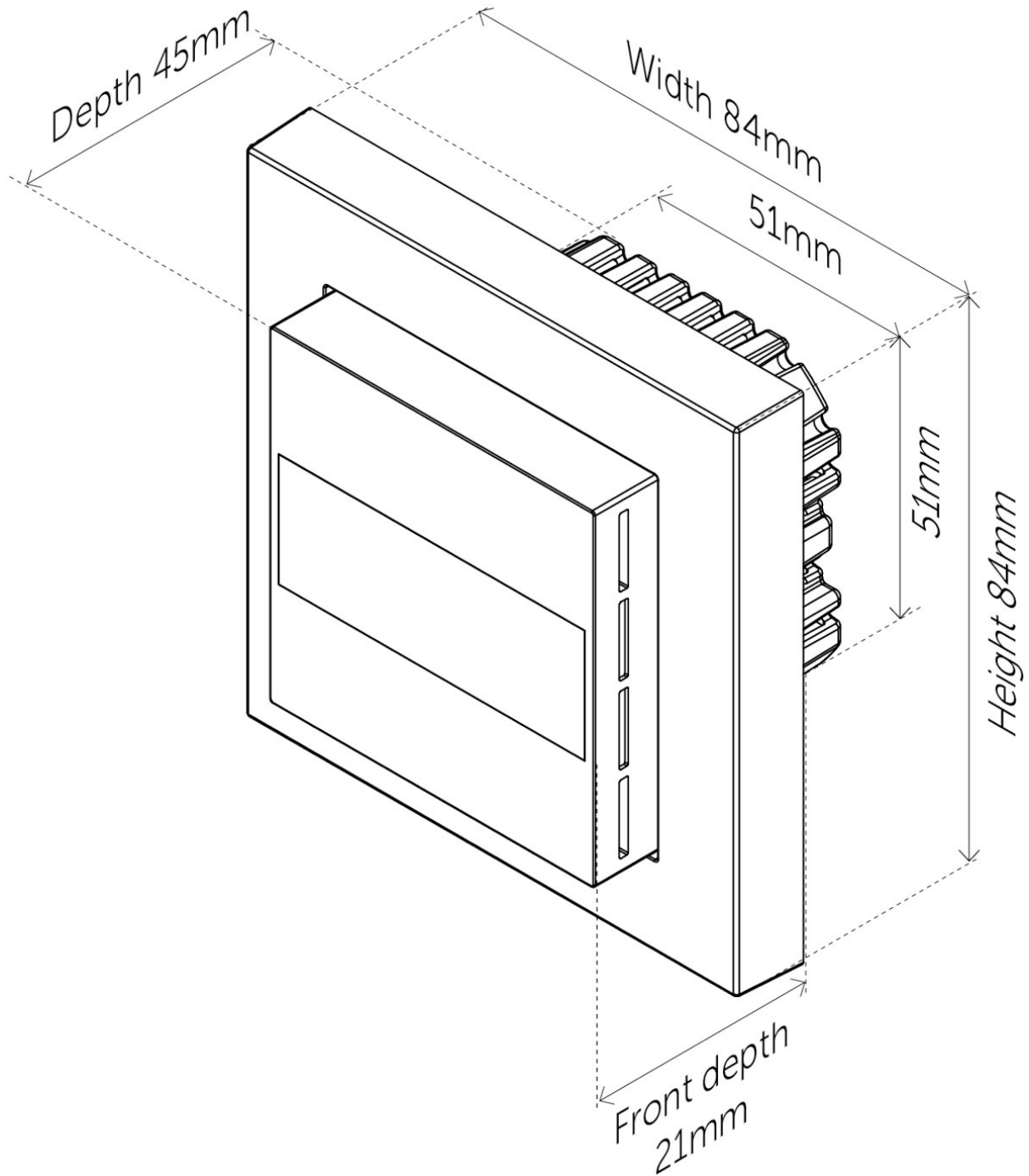
We develop and design our products according in accordance with our strict quality requirements (ISO 9001) and environmental requirements (ISO 14001).

All electrical installations must be carried out by an authorized electrical installer. The product must be installed in accordance with our installers manual and national building codes. Any wrongful installation, misuse, damage of the product, is not covered under warranty.

Updated documentation is available at [www.heatit.com](http://www.heatit.com) and/or [documents.heatit.com](http://documents.heatit.com)

Heatit Controls AB can not be held liable for any type of errors or omissions in our product information.

Product specifications may change without further notice.



**Heatit Z-TRM6 DC Black Matt can be ordered from**  
**[www.heatit.com/5430563](http://www.heatit.com/5430563)**

All additional documentation are available on the above adress and on [documents.heatit.com/5430563](http://documents.heatit.com/5430563)

