



## MULTIREG LCD3 WHITE RAL9010

Thermostat with frost guard function

**Art.no** 5430574  
**GTIN** 7071236016816

Multireg LCD3 is an electronic thermostat designed for electric underfloor heating. The thermostat fits in standard European junction boxes and may be used with most System 55 frames. Multireg LCD3 has the option of a weekly program. It has an internal sensor and can be connected to two external sensors.

Multireg LCD3 also has two modes for outdoor use. When using two sensors, it is possible to limit the ground temperature additionally. Multireg LCD3 is designed to melt snow and ice on the ground, stairs, and smaller outdoor areas. The thermostat operates within a specific temperature range.

### PRODUCT FEATURES

- 7 segment LED display
- Floor sensor
- Internal room sensor
- Temperature limiter
- +/- thermostat with sensor
- Weekly schedule
- External room sensor (wired by cable)
- Clock function
- Setback via pilot wire
- Single pole switch
- Lock mode/child lock
- Backlight
- Temperature calibration

### PRODUCT DATA

Colour	White RAL 9010
Min. and max ambient humidity (RH%)	10 to 85%
Ambient temperature range in use	5 to 40°C
Ambient temperature range in storage	-30 to 70°C

### THERMOSTAT DATA

Compatible NTC-sensors (kΩ @ 25°C)	6.8, 10, 12, 15, 22, 33, 47, 100
Error margin temperature	0,5
Temperature sensitivity	±0,5
Hysteresis	0,3 to 3,0 (default hysteresis 0,5)
Ohm value at 25°C	10kΩ
Max length of NTC sensor	50m
Regulation temperature	-20 to 40°C

### STANDARDS

Certification	CE
EN Standards	CE
IP Code	IP21

### WARRANTY

### ELECTRO TECHNICAL DATA

Voltage	230VAC 50Hz
Max load (resistive load)	3600W
Own power usage	1.5W
Switch type	One-pole switch
Max load (resistive load)	16A
Connection type	Screw clamps
Connection terminals diameter	0.2 to 2.5mm <sup>2</sup>
Max tightening torque connections	2N·m
Voltage Output	230VAC 50Hz



## PRODUCT DIMENSIONS

Product height/diameter	84mm	Product Width	84mm
Product length	51mm	Product net weight	106g

## MAINTENANCE

The device is maintenance-free. Indoor use only.

## ADDITIONAL INFORMATION

Approved for use in bathrooms.

## PRODUCT INFO RETURN AND RECYCLING

The product must be recycled as electronic waste.

## DISCLAIMER

The device can withstand a load of max. 16A/3600W at 230VAC. We recommend a contactor for loads above 13A.

Supplied with a floor sensor (Art.no 54 301 07).

General info;

Worth noting regarding correct installation of thermostats.

When two or more thermostats are mounted too close to each other, the heat they emit, can interfere with the temperature sensors and the temperature in the junction box becomes too high. This can cause inaccurate temperature readings, especially under high load, leading to incorrect heating control. To avoid such issues, thermostats should be installed as far apart as possible and always in separate junction boxes. This ensures more accurate temperature readings.

In multi-frames with multiple units, the thermostat should always be mounted at the bottom, and no more than one thermostat should ever be installed in a multi-frame.

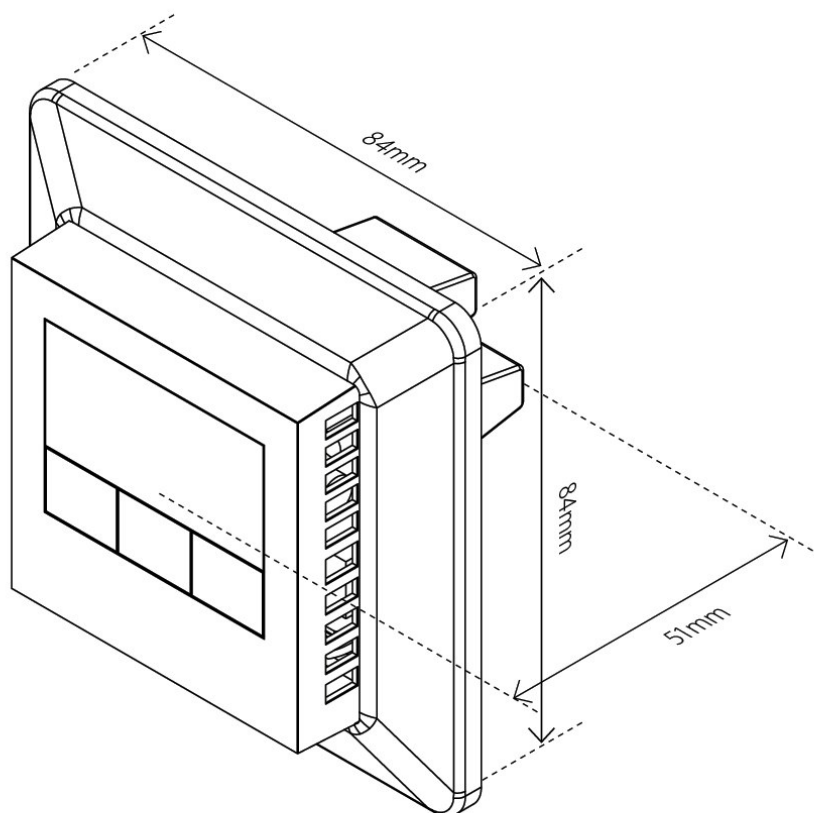
All electrical installations must be carried out by an authorized electrical installer.

The product must be installed in accordance with our installers manual and national building codes. Any wrongful installation, misuse, damage of the product, is not covered under warranty.

Updated documentation is available at [www.thermo-floor.no/www.heatit.com](http://www.thermo-floor.no/www.heatit.com) og/eller [documents.thermo-floor.no/documents.heatit.com](http://documents.thermo-floor.no/documents.heatit.com)

Thermo-Floor AS/Heatit Controls AB can not be held liable for any type of errors or omissions in our product information.

Product specifications may change without further notice.



**Multireg LCD3 White RAL9010 can be ordered from  
[www.thermo-floor.no/5430574](http://www.thermo-floor.no/5430574)**

All additional documentation are available on the above adress and on [documents.thermo-floor.no/5430574](http://documents.thermo-floor.no/5430574)

