



## PRODUCT FEATURES

- Z-Wave
- Regulator for waterbased heating systems
- 9 potential free relays
- Valve exercise
- Can control 230VAC actuators and 24V actuators from an external power supply
- Can be used with Heatit thermostats in each heating zone
- DIN-rail mounting
- Connector for external antenna
- SmartStart
- Firmware update (OTA)
- Supports encryption mode S0, S2 Authenticated Class, S2 Unauthenticated Class

## HEATIT Z-WATER2

Z-Wave Regulator 868.4 MHz

**Art.no** 4512495  
**GTIN** 7071236016458

Heatit Z-Water2 is a DIN-rail regulator for controlling waterbased heating systems. The module clips right onto a DIN-rail and allows you to control your waterbased heating through your Z-Wave network. Heatit Z-Water2 is equipped with 9 potential free relays for actuators. It also has 2 analog inputs for temperature sensors.

The Heatit Z-Water2 relays may be controlled by associations with other Z-Wave thermostats e.g Heatit. Each relay can control one or several actuators in your heating system.

## IOT / SMART HOME SPECIFIC DATA

Z-Wave Frequency	Z-Wave - 868.4 MHz (EU)
Z-Wave Chip	Z-Wave 800 chip
Min radio frequency range	40m
Over The Air update (OTA)	Yes
Z-Wave encryption mode	S2 Authenticated Class S0 S2 Unauthenticated Class

## ELECTRO TECHNICAL DATA

Voltage	230VAC 50Hz
Max current	5A
Own power usage	0.4W
Connection type	Screw clamps
Connection terminals diameter	0.2 til 2.5mm <sup>2</sup>
Max tightening torque connections	2N·m



## MAINTENANCE

The device is maintenance-free. Indoor use only.

## ADDITIONAL INFORMATION

The product must be used with a security-enabled Z-Wave Controller in order to fully utilize security/encryption.

Max load: 5A  
Max load per relay: 1385VA/150W  
Max relay current: 250VAC

Heatit Z-Water2 is incompatible with Heatit Z-Wave Gateway.

Accessories: Heatit DIN Trafo 24V, Art. no. 54 304 57

## PRODUCT INFO RETURN AND RECYCLING

The product must be recycled as electronic waste.

## STANDARDS

EN Standards	CE	Certification	Z-Wave Plus CE
IP Class	IP20		

## WARRANTY

Warranty Norway	5 years	Warranty international	2 years
-----------------	---------	------------------------	---------

## LOGISTICAL DATA (F-PACK)

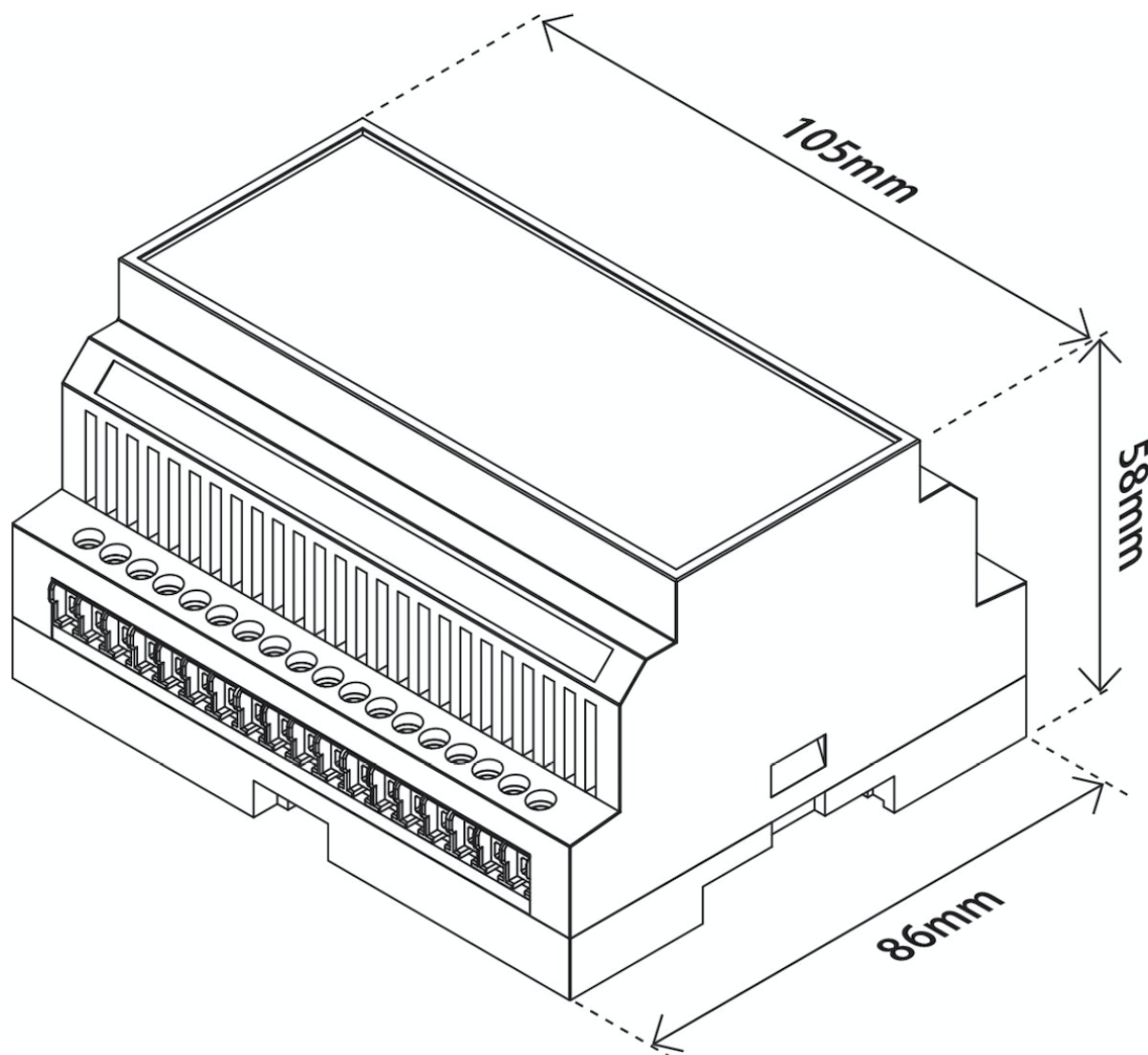
Width	86mm	Height/diameter	58mm
Length	105mm	Weight	186g
GTIN	7071236016458	Unit	EA
Consists of unit	EA	Quantity	1

## DISCLAIMER

We develop and design our products according in accordance with our strict quality requirements (ISO 9001) and environmental requirements (ISO 14001).

All electrical installations must be carried out by an authorized electrical installer. The product must be installed in accordance with our installers manual and national building codes. Any wrongful installation, misuse, damage of the product, is not covered under warranty.

Updated documentation is available at [www.heatit.com](http://www.heatit.com) and/or [documents.heatit.com](http://documents.heatit.com)  
Heatit Controls AB can not be held liable for any type of errors or omissions in our product information.  
Product specifications may change without further notice.



**Heatit Z-Water2 can be ordered from [www.heatit.com/4512495](http://www.heatit.com/4512495)**

All additional documentation are available on the above adress and on [documents.heatit.com/4512495](http://documents.heatit.com/4512495)

