



HEATIT Z-TRM6 WHITE RAL 9010

Z-Wave thermostat 3600W 16A 868.4 MHz

Art.no 5430567

GTIN 7071236018070

Heatit Z-TRM6 is an electronic thermostat designed for electrical heating. The thermostat can be controlled through your Z-Wave network or via the buttons on the front. The thermostat has a user friendly interface.

Heatit Z-TRM6 has 3 modes; Heat - Cool and Eco.

The thermostat fits in standard European junction boxes and may be used with most System 55 frames. It has a sturdy metal frame for secure fastening on the junction box. The thermostat has one built-in room temperature sensor. Two additional external temperature sensors may also be connected.

Heatit Z-TRM6 has active power metering and it gives you real time information about your power consumption. It also allows you to set the power metering value manually in case of connection with a contactor.

The product has implemented ZeroX technology. This technology makes sure the relay switches at 0V when turning on and off. With this technology the thermostat will have a much longer lifetime.

The thermostat can be set up with multiple associations and can be used as a master thermostat. It can control up to 10 thermostats and 10 external relays E.g wall plugs.

PRODUCT FEATURES

- Z-Wave thermostat
- Internal room sensor
- External room sensor (wired by cable)
- Floor sensor
- Power regulator
- Temperature limiter
- 3 modes: Heat - Cool and Eco
- Hysteresis/PWM
- Temperature calibration
- Open window detection
- ZeroX detection
- Relay status icon
- Adjustable display brightness
- Single pole switch
- Lock mode/child lock
- Temperature readout in gateway
- Weekly schedule in gateway
- Active power metering
- SmartStart
- Firmware update (OTA)
- Supports encryption modes S0, S2 Authenticated Class, S2 Unauthenticated Class

THERMOSTAT DATA

| | |
|------------------------------------|-------------------------------------|
| Compatible NTC-sensors (kΩ @ 25°C) | 6,8, 10, 12, 15, 22, 33, 47, 100 |
| Effect regulator | Timed cycle 0-30 minutes |
| Error margin temperature | 0,5°C |
| Temperature sensitivity | Temperature sensitivity ±0,5 |
| Night lowering as thermostat | Via Gateway |
| Night lowering as regulator | Via Gateway |
| Hysteresis | 0,3 to 3,0 (default hysteresis 0,5) |
| Ohm value at 25°C | 10kΩ |
| Regulation temperature | 5 til 40°C |

IOT / SMART HOME SPECIFIC DATA

| | |
|---------------------------------------|--|
| Z-Wave Frequency | Z-Wave - 868.4 MHz (EU) |
| Z-Wave Chip | Z-Wave 800 chip |
| Alternate IoT-communication protocols | No alternative communication protocols |
| Min radio frequency range | 40 |
| Over The Air update (OTA) | Yes |
| Push buttons | 3 |
| Temperature measurement range | 5 til 40°C |
| Z-Wave encryption mode | S2 Unauthenticated Class S0 S2 Authenticated Class |
| Primary IoT Protocol | Z-Wave |

ELECTRO TECHNICAL DATA

| | |
|-----------------------------------|----------------------------|
| Voltage | 230VAC 50Hz |
| Max load (resistive load) | 3600W |
| Max current | 16A |
| Own power usage | 2W |
| Switch type | One-pole switch |
| Connection type | Screw clamps |
| Connection terminals diameter | 0.2 til 2.5mm ² |
| Max tightening torque connections | 2N·m |



MAINTENANCE

The device is maintenance-free. Indoor use only.

ADDITIONAL INFORMATION

Approved to be used in bathrooms.

The product must be used with a security-enabled Z-Wave Controller in order to fully utilize security/encryption.

PRODUCT INFO RETURN AND RECYCLING

The product must be recycled as electronic waste.

LOGISTICS AND PRODUCT DATA

| | | | |
|-------------------------------------|----------------|----------------------------------|------------|
| Colour | White RAL 9010 | Customs number | 90321000 |
| Min. and max ambient humidity (RH%) | 10 til 85% | Ambient temperature range in use | 5 til 40°C |

STANDARDS

| | | | |
|-------------|---|---|----|
| EU Standard | LVD 2014/35/EU EMC 2014/30/EU EN 60730-1 CE RoHS 2011/65/EU EN 60730-2-9 | Certification | CE |
| IP-Class | IP21 | Heatit Controls AB declares that this product is in compliance with the essential requirements and other relevant provisions of Directive 2014/53/EU. | 1 |

WARRANTY

| | |
|-----------------|---------|
| Warranty Norway | 5 years |
|-----------------|---------|

LOGISTICAL DATA (F-PACK)

| | | | |
|------------------|---------------|-----------------|------|
| Width | 90mm | Height/diameter | 70mm |
| Length | 90mm | Weight | 165g |
| GTIN | 7071236018070 | Unit | EA |
| Consists of unit | EA | Quantity | 1 |


LOGISTICAL DATA (M-PACK)

| | | | |
|------------------|----------------|-----------------|--------|
| Width | 205mm | Height/diameter | 105mm |
| Length | 375mm | Weight | 2240g |
| GTIN | 27071236018074 | Unit | CARTON |
| Consists of unit | BOX | Quantity | 10 |

LOGISTICAL DATA (D-PACK)

| | | | |
|------------------|----------------|-----------------|--------|
| Width | 385mm | Height/diameter | 550mm |
| Length | 425mm | Weight | 23320g |
| GTIN | 37071236018071 | Unit | CARTON |
| Consists of unit | CARTON | Quantity | 100 |

DISCLAIMER

We develop and design our products according in accordance with our strict quality requirements (ISO 9001) and environmental requirements (ISO 14001).

All electrical installations must be carried out by an authorized electrical installer. The product must be installed in accordance with our installers manual and national building codes. Any wrongful installation, misuse, damage of the product, is not covered under warranty.

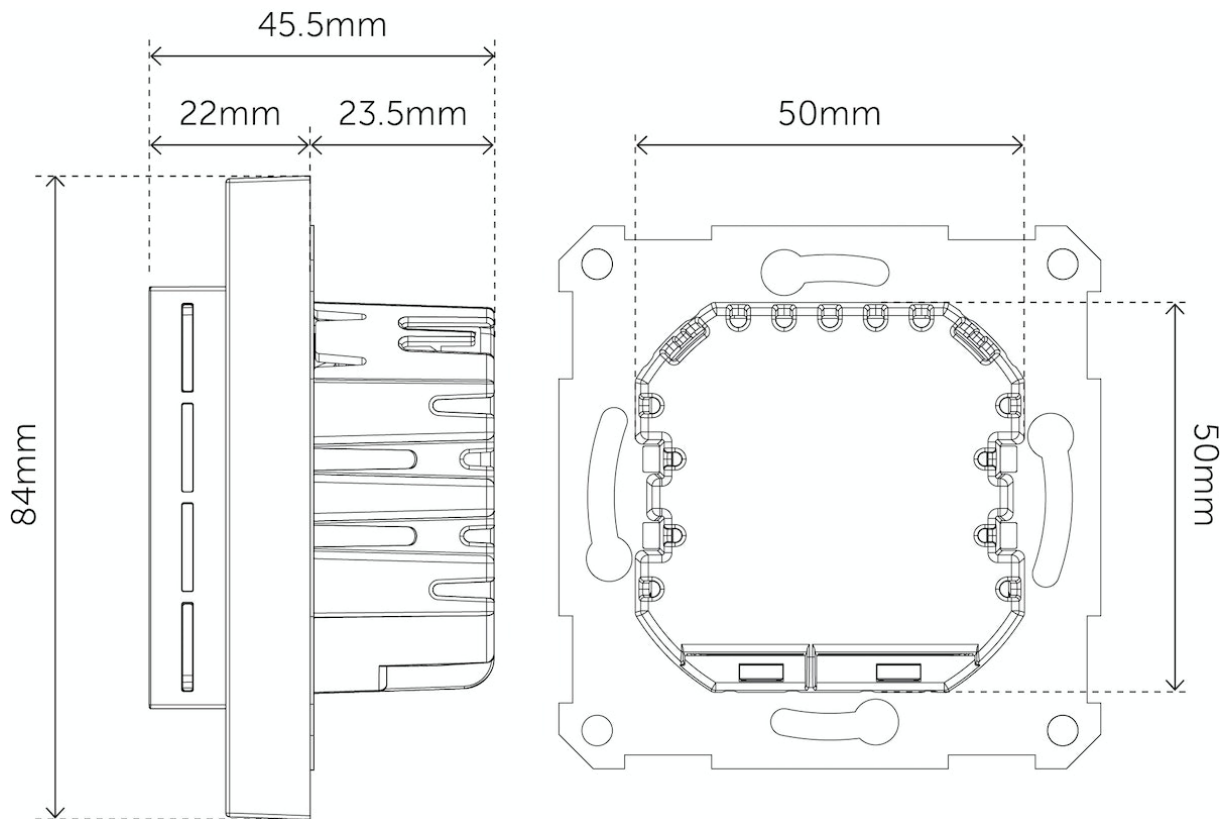
Updated documentation is available at www.heatit.com and/or documents.heatit.com

Heatit Controls AB can not be held liable for any type of errors or omissions in our product information.

Product specifications may change without further notice.

The device can withstand a load of max 16A/3600W at 230VAC. We recommend a contactor for loads above 13A.

Never change the front from one thermostat to another.



**Heatit Z-TRM6 White RAL9010 can be ordered from
www.heatit.com/5430567**

All additional documentation are available on the above adress and on documents.heatit.com/5430567

