**HEATIT HC2 DOUBLE FRAME WHITE RAL 9003**

Frame for Heatit Dimmers and Thermostats

**Art.no** 1444482**GTIN** 7071236018452

Heatit HC frames are a frame system with space for one, two or three products. Frames for use with Heatit and Multireg products such as thermostats, dimmers and external sensors. Fits System 55 products.

**PRODUCT FEATURES**

Mounting of System 55 compatible products in one, two or three frame unit systems.



## MAINTENANCE

The product is maintenance-free.

## PRODUCT INFO RETURN AND RECYCLING

The product is recycled as hard plastic.

## LOGISTICAL DATA (F-PACK)

Width	84mm	Height/diameter	155mm
Length	11mm	Weight	33000g
GTIN	7071236018452	Unit	EA
Consists of unit	EA	Quantity	1

## DISCLAIMER

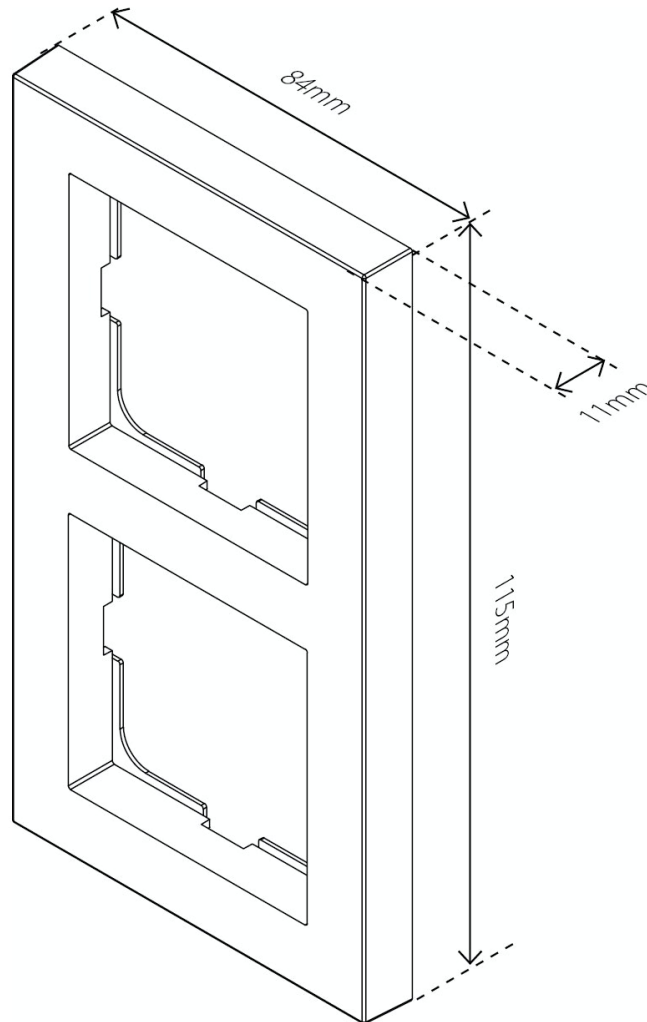
We develop and design our products according in accordance with our strict quality requirements (ISO 9001) and environmental requirements (ISO 14001).

All electrical installations must be carried out by an authorized electrical installer. The product must be installed in accordance with our installers manual and national building codes. Any wrongful installation, misuse, damage of the product, is not covered under warranty.

Updated documentation is available at [www.heatit.com](http://www.heatit.com) and/or [documents.heatit.com](http://documents.heatit.com)

Heatit Controls AB can not be held liable for any type of errors or omissions in our product information.

Product specifications may change without further notice.



**Heatit HC2 Double Frame White RAL 9003 can be ordered from**  
**[www.heatit.com/1444482](http://www.heatit.com/1444482)**

All additional documentation are available on the above adress and on [documents.heatit.com/1444482](http://documents.heatit.com/1444482)

