



MULTIREG6 BLACK MATT

Thermostat 3600W 16A

Art.no 5430535

GTIN 7071236018056

Multireg6 is an electronic thermostat designed for electrical heating. The thermostat has a user friendly interface that can be controlled from the buttons on the front.

Multireg6 has 3 modes; Heat - Cool and Eco.

The thermostat fits in standard European junction boxes and may be used with most System 55 frames. It has a sturdy metal frame for secure fastening on the junction box. The thermostat has one built-in room temperature sensor. Two additional external temperature sensors may also be connected.

The product has implemented ZeroX technology. This technology makes sure the relay switches at 0V when turning on and off. With this technology the thermostat will have a much longer lifetime.

Multireg6 has active power metering and it allows the user to see the total accumulated energy consumption in kWh.

PRODUCT FEATURES

- Internal room sensor
- External room sensor (wired by cable)
- Floor sensor
- Power regulator
- Temperature limiter
- 3 modes; Heat - Cool and Eco
- Hysteresis/PWM
- Temperature calibration
- Open window detection
- ZeroX detection
- Relay status icon
- Adjustable display brightness
- Single pole switch
- Lock mode/child lock
- Active power metering

THERMOSTAT DATA

Compatible NTC-sensors (kΩ @ 25°C)	6,8, 10, 12, 15, 22, 33, 47, 100
Power regulator	Timed cycle 0-30 minutes
Error margin temperature	0,5°C
Temperature sensitivity	Temperature sensitivity ±0,5
Hysteresis	0,3 to 3,0 (default hysteresis 0,5)
Ohm value at 25°C	10kΩ
Regulation temperature	5 til 40°C

IOT / SMART HOME SPECIFIC DATA

Alternate IoT-communication procols	No alternative communication protocols
Push buttons	3
Temperature measurement range	5 til 40°C

ELECTRO TECHNICAL DATA

Voltage	230VAC 50Hz
Max load (resistive load)	3600W
Max current	16A
Own power usage	1W
Switch type	One-pole switch
Connection type	Screw clamps
Connection terminals diameter	0.2 til 2.5mm ²
Max tightening torque connections	2N·m



MAINTENANCE

The device is maintenance-free. Indoor use only.

ADDITIONAL INFORMATION

Approved for use in bathrooms.

ZeroX Detection is pronounced Zero Cross Detection.

PRODUCT INFO RETURN AND RECYCLING

The product must be recycled as electronic waste.

STANDARDS

Certification	RoHS Reach	EN Standards	CE Nemko
IP Class	IP21	Heatit Controls AB declares that this product is in compliance with the essential requirements and other relevant provisions of Directive 2014/53/EU.	1

WARRANTY

Warranty Norway	5 years
-----------------	---------

LOGISTICAL DATA (F-PACK)

Width	84mm	Height/diameter	45mm
Length	84mm	Weight	135g
GTIN	7071236018056	Unit	EA
Consists of unit	EA	Quantity	1

LOGISTICAL DATA (M-PACK)

Width	205mm	Height/diameter	105mm
Length	375mm	Weight	2240g
GTIN	7071236018728	Unit	CARTON
Consists of unit	EA	Quantity	10





LOGISTICAL DATA (D-PACK)

Width	385mm	Height/diameter	550mm
Length	425mm	Weight	23320g
GTIN	7071236018759	Unit	CARTON
Consists of unit	EA	Quantity	100

DISCLAIMER

The device can withstand a load of max 16A/3600W at 230VAC. We recommend a contactor for loads above 13A.

Never change the front from one thermostat to another.

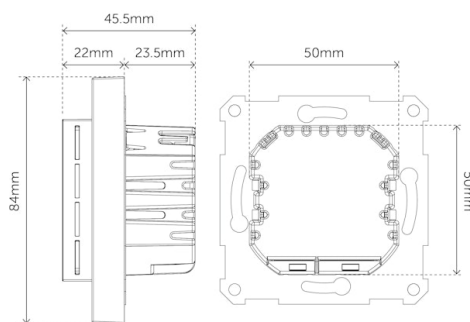
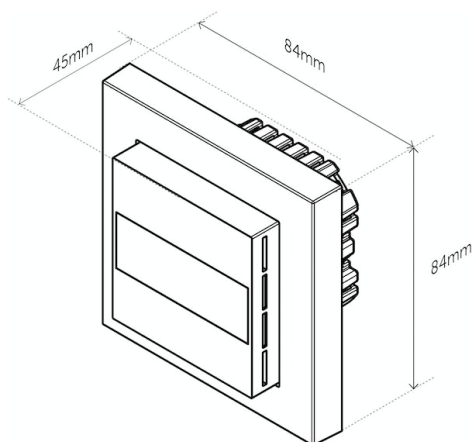
All electrical installations must be carried out by an authorized electrical installer.

The product must be installed in accordance with our installers manual and national building codes. Any wrongful installation, misuse, damage of the product, is not covered under warranty.

Updated documentation is available at www.thermo-floor.no/www.heatit.com og/eller documents.thermo-floor.no/documents.heatit.com

Thermo-Floor AS/Heatit Controls AB can not be held liable for any type of errors or omissions in our product information.

Product specifications may change without further notice.



Multireg6 Black matt can be ordered from www.thermo-floor.no/5430535

All additional documentation are available on the above adress and on documents.thermo-floor.no/5430535

