



## MULTIREG6 WHITE RAL 9010

Thermostat 3600W 16A

**Art.no** 5430533

**GTIN** 7071236018032

Multireg6 is an electronic thermostat designed for electrical heating. The thermostat has a user friendly interface that can be controlled from the buttons on the front.

Multireg6 has 3 modes; Heat - Cool and Eco.

The thermostat fits in standard European junction boxes and may be used with most System 55 frames. It has a sturdy metal frame for secure fastening on the junction box. The thermostat has one built-in room temperature sensor. Two additional external temperature sensors may also be connected.

The product has implemented ZeroX technology. This technology makes sure the relay switches at 0V when turning on and off. With this technology the thermostat will have a much longer lifetime.

Multireg6 has active power metering and it allows the user to see the total accumulated energy consumption in kWh.

### PRODUCT FEATURES

- Internal room sensor
- External room sensor (wired by cable)
- Floor sensor
- Power regulator
- Temperature limiter
- 3 modes; Heat - Cool and Eco
- Hysteresis/PWM
- Temperature calibration
- Open window detection
- ZeroX detection
- Relay status icon
- Adjustable display brightness
- Single pole switch
- Lock mode/child lock
- Active power metering

### THERMOSTAT DATA

|                                    |                                     |
|------------------------------------|-------------------------------------|
| Compatible NTC-sensors (kΩ @ 25°C) | 6.8, 10, 12, 15, 22, 33, 47, 100    |
| Power regulator                    | Timed cycle 0-30 minutes            |
| Error margin temperature           | 0,5°C                               |
| Temperature sensitivity            | Temperature sensitivity ±0,5        |
| Hysteresis                         | 0,3 to 3,0 (default hysteresis 0,5) |
| Ohm value at 25°C                  | 10kΩ                                |
| Regulation temperature             | 5 til 40°C                          |

### IOT / SMART HOME SPECIFIC DATA

|                                     |  |
|-------------------------------------|--|
| Alternate IoT-communication procols | No alternative communication protocols |
| Push buttons                        | 3                                      |
| Temperature measurement range       | 5 til 40°C                             |

### ELECTRO TECHNICAL DATA

|                                   |                            |
|-----------------------------------|----------------------------|
| Voltage                           | 230VAC 50Hz                |
| Max load (resistive load)         | 3600W                      |
| Max current                       | 16A                        |
| Own power usage                   | 1W                         |
| Switch type                       | One-pole switch            |
| Connection type                   | Screw clamps               |
| Connection terminals diameter     | 0.2 til 2.5mm <sup>2</sup> |
| Max tightening torque connections | 2N·m                       |



**MAINTENANCE**

The device is maintenance-free. Indoor use only.

**ADDITIONAL INFORMATION**

Approved for use in bathrooms.

ZeroX Detection is pronounced Zero Cross Detection.

**PRODUCT INFO RETURN AND RECYCLING**

The product must be recycled as electronic waste.

**STANDARDS**

| EN Standards | Nemko CE | Certification   | RoHS Reach |
|--------------|----------|---|------------|
| IP Class     | IP21     | Heatit Controls AB declares that this product is in compliance with the essential requirements and other relevant provisions of Directive 2014/53/EU. | 1          |

**WARRANTY**

|                 |         |
|-----------------|---------|
| Warranty Norway | 5 years |
|-----------------|---------|

**LOGISTICAL DATA (F-PACK)**

|                  |               |                 |      |
|------------------|---------------|-----------------|------|
| Width            | 84mm          | Height/diameter | 45mm |
| Length           | 84mm          | Weight          | 135g |
| GTIN             | 7071236018032 | Unit            | EA   |
| Consists of unit | EA            | Quantity        | 1    |

**LOGISTICAL DATA (M-PACK)**

|                  |               |                 |        |
|------------------|---------------|-----------------|--------|
| Width            | 205mm         | Height/diameter | 105mm  |
| Length           | 375mm         | Weight          | 2240g  |
| GTIN             | 7071236018704 | Unit            | CARTON |
| Consists of unit | EA            | Quantity        | 10     |





**LOGISTICAL DATA (D-PACK)**

|                  |               |                 |        |
|------------------|---------------|-----------------|--------|
| Width            | 385mm         | Height/diameter | 550mm  |
| Length           | 425mm         | Weight          | 23320g |
| GTIN             | 7071236018735 | Unit            | CARTON |
| Consists of unit | EA            | Quantity        | 100    |

**DISCLAIMER**

The device can withstand a load of max 16A/3600W at 230VAC. We recommend a contactor for loads above 13A.

Never change the front from one thermostat to another.

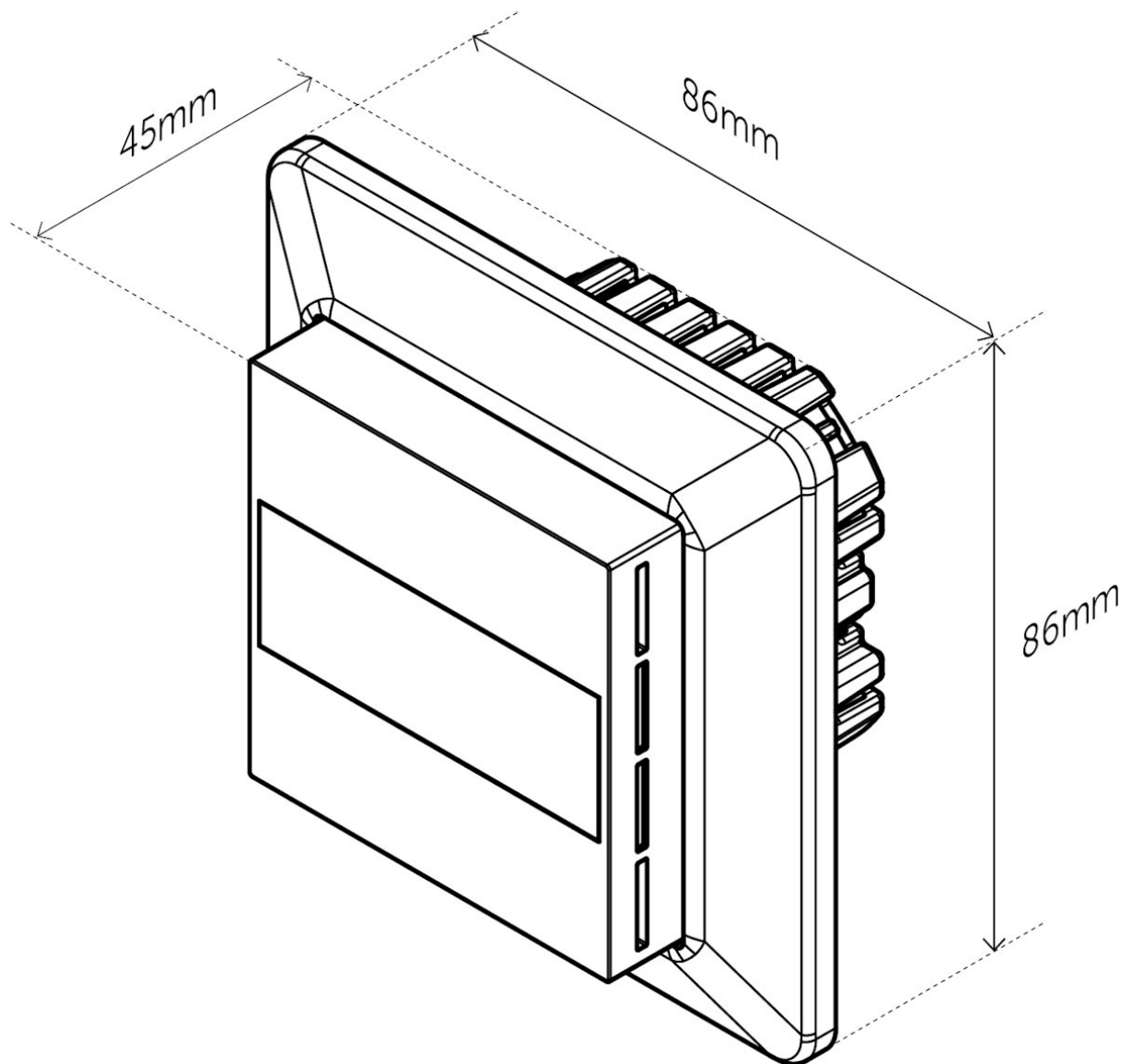
All electrical installations must be carried out by an authorized electrical installer.

The product must be installed in accordance with our installers manual and national building codes. Any wrongful installation, misuse, damage of the product, is not covered under warranty.

Updated documentation is available at [www.thermo-floor.no/www.heatit.com](http://www.thermo-floor.no/www.heatit.com) og/eller [documents.thermo-floor.no/documents.heatit.com](http://documents.thermo-floor.no/documents.heatit.com)

Thermo-Floor AS/Heatit Controls AB can not be held liable for any type of errors or omissions in our product information.

Product specifications may change without further notice.



**Multireg6 White RAL 9010 can be ordered from**

**[www.thermo-floor.no/5430533](http://www.thermo-floor.no/5430533)**

All additional documentation are available on the above adress and on [documents.thermo-floor.no/5430533](http://documents.thermo-floor.no/5430533)

