



HEATIT Z-PUSH BUTTON 2 WHITE

EOL

Push button for Z-wave

Art.no 4512580

GTIN 7071236014690

Heatit Z-Push Button2 is a battery operated wall switch with 2 push-buttons. The switch enables you to control the Z-Wave-products in your smart home system. Managing your Z-Wave products becomes easy and practical. The switch can be set up to control scenarios or work in associations with other Z-Wave products.

PRODUCT FEATURES

- Battery operated wall switch
- Fits System 55, Elko RS-16 og Schneider Exxact frames
- Controls 1 group and up to 5 units
- Controls 4 scenarios via your gateway
- Easy to install with screws or double-sided tape
- Supports encryption modes S0, S2 Authenticated Class, S2 Unauthenticated Class

Heatit Z-Push Button2 can control 1 association group with up to 5 products or 4 scenarios through your gateway. Heatit Z-Push Button2 may not be used as a stand-alone unit; it must be included in a gateway to function.

The switch fits into System 55 frames.

The switch is easy to install, and may be fastened with screws or double-sided tape.

PRODUCT DATA

Colour	White RAL 9003
Ambient temperature range in use	0 to 40°C

STANDARDS

EN Standards	RoHS 2011/65/EU, CE
Certification	Z-Wave Plus, CE
IP Code	IP20

WARRANTY

IOT / SMART HOME SPECIFIC DATA

Z-Wave Frequency	Z-Wave - 868.4 MHz (EU)
Z-Wave Chip	Z-Wave 500 chip
Min radio frequency range	40m
Push buttons	2
Z-Wave encryption mode	S2 Unauthenticated Class S0 S2 Authenticated Class
FLiRS	No

ELECTRO TECHNICAL DATA

Voltage	Batteri 1 x CR2450
---------	--------------------

**PRODUCT DIMENSIONS**

Product height/diameter	54.000001400709mm	Product Width	112.00000345707mm
Product length	103.00000011921mm	Product net weight	66g

MAINTENANCE

The device is maintenance-free.

DISCLAIMER

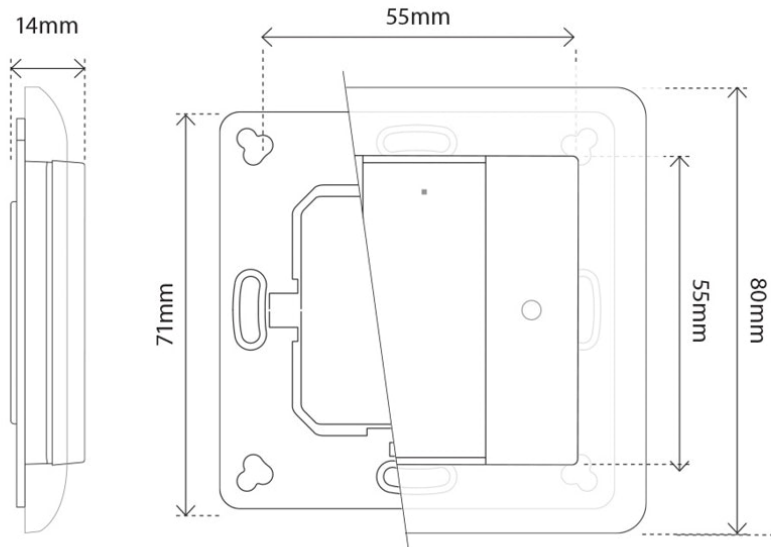
We develop and design our products according in accordance with our strict quality requirements (ISO 9001) and environmental requirements (ISO 14001).

All electrical installations must be carried out by an authorized electrical installer. The product must be installed in accordance with our installers manual and national building codes. Any wrongful installation, misuse, damage of the product, is not covered under warranty.

Updated documentation is available at www.heatit.com and/or documents.heatit.com

Heatit Controls AB can not be held liable for any type of errors or omissions in our product information.

Product specifications may change without further notice.



**Heatit Z-Push Button 2 White can be ordered from
www.heatit.com/4512580**

All additional documentation are available on the above adress and on documents.heatit.com/4512580

