



PRODUCT FEATURES

- Battery-powered wall switch
- Fits in System 55, Elko RS-16 and Schneider Exxact frames
- Controls 1 group and up to 5 units
- Controls 4 scenarios via gateway
- Easy to install with screws or double-sided tape
- Supports encryption mode S0, S2 Authenticated Class, S2 Unauthenticated Class

PRODUCT DATA

| | |
|----------------------------------|-----------|
| Colour | Black |
| Ambient temperature range in use | 0 to 40°C |

STANDARDS

| | |
|---------------|---------------------|
| EN Standards | CE, RoHS 2011/65/EU |
| Certification | CE, Z-Wave Plus |
| IP Code | IP20 |

WARRANTY

HEATIT Z-PUSH BUTTON 2 BLACK

EOL

Push button for Z-wave

| | |
|---------------|---------------|
| Art.no | 4512680 |
| GTIN | 7071236015123 |

Heatit Z-Push Button2 is a battery operated wall switch with 2 push-buttons. The switch enables you to control the Z-Wave products in your smart home system. Managing your Z-Wave products becomes easy and practical. The switch can be set up to control scenarios or work in associations with other Z-Wave products.

Heatit Z-Push Button2 can control 1 association group with up to 5 products or 4 scenarios through your gateway. Heatit Z-Push Button2 may not be used as a stand-alone unit; it must be included in a gateway to function.

The switch fits into System 55 frames.

The switch is easy to install, and may be fastened with screws or double-sided tape.

IOT / SMART HOME SPECIFIC DATA

| | |
|---------------------------|--|
| Z-Wave Frequency | Z-Wave - 868.4 MHz (EU) |
| Z-Wave Chip | Z-Wave 500 chip |
| Min radio frequency range | 40m |
| Push buttons | 2 |
| Z-Wave encryption mode | S0 S2 Authenticated Class S2 Unauthenticated Class |
| FLiRS | No |

ELECTRO TECHNICAL DATA

| | |
|---------|--------------------|
| Voltage | Batteri 1 x CR2450 |
|---------|--------------------|

**PRODUCT DIMENSIONS**

| | | | |
|-------------------------|-------------------|--------------------|-------------------|
| Product height/diameter | 54.000001400709mm | Product Width | 112.00000345707mm |
| Product length | 103.00000011921mm | Product net weight | 66g |

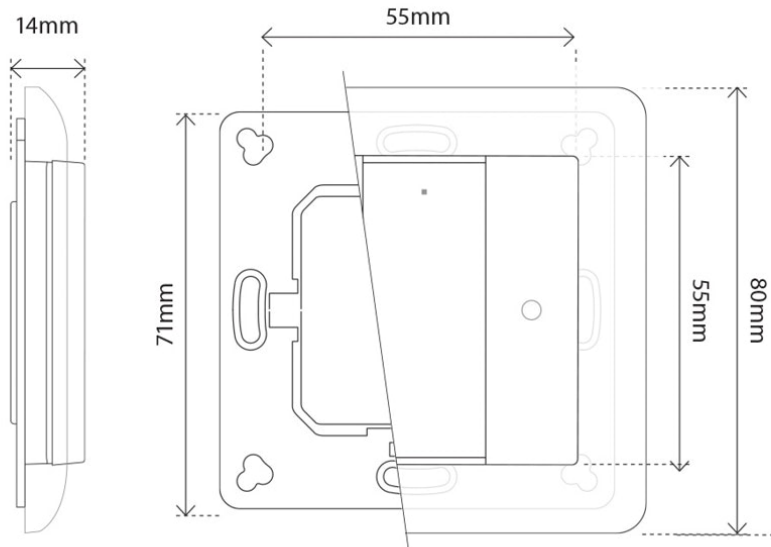
MAINTENANCE

The device is maintenance-free.

DISCLAIMER

All electrical installations must be carried out by an authorized electrical installer. The product must be installed in accordance with our installers manual and national building codes. Any wrongful installation, misuse, damage of the product, is not covered under warranty.

Updated documentation is available at www.thermo-floor.no/www.heatit.com og/eller documents.thermo-floor.no/documents.heatit.com
Thermo-Floor AS/Heatit Controls AB can not be held liable for any type of errors or omissions in our product information.
Product specifications may change without further notice.



**Heatit Z-Push Button 2 Black can be ordered from
www.thermo-floor.no/4512680**

All additional documentation are available on the above adress and on documents.thermo-floor.no/4512680

