



HEATIT Z-DIM

EOL

Z-Wave rotary dimmer 868,4MHz

Art.no	1444444
GTIN	7071236014003

Heatit Z-Dim is a Z-Wave rotary dimmer for many different types of light sources. The Heatit Z-Dim works on low loads without causing the lights to flicker. It dims LED bulbs from 1-200VA, 230V halogen- and incandescent bulbs, dimmable LED drivers and electronic transformers. L+N leads must be connected.

The dimmer is equipped with a multiway switching option. This allows you to turn on and dim a light source using one dimmer, and later turn it off with another. Very practical for stairwells, long hallways, etc.

The dimmer fits into System 55 frames.

PRODUCT FEATURES

- Z-Wave rotary dimmer
- Scene Controller
- Trailing edge
- Dims: LED, 230V halogen, incandescent lightbulbs, dimmable LED-drivers, electronic transformers
- Starts at 1VA and dims up to 200VA LED
- Electronic thermal cutoff with automatic reset
- Supports encryption mode: S0, S2 Authenticated Class, S2 Unauthenticated Class
- Multiway switching option
- Firmware update (OTA)
- Power metering

PRODUCT DATA

Colour	White RAL 9003
Ambient temperature range in use	5 til 40°C

STANDARDS

Certification	CE, Z-Wave Plus
IP Code	IP20

WARRANTY

IOT / SMART HOME SPECIFIC DATA

Z-Wave Frequency	Z-Wave - 868.4 MHz (EU)
Z-Wave Chip	Z-Wave 500 chip
Min radio frequency range	40m
Over The Air update (OTA)	Ja

ELECTRO TECHNICAL DATA

Voltage	230VAC 50Hz
Max load (resistive load)	200W
Own power usage	200W



MAINTENANCE

The device is maintenance-free.

ADDITIONAL INFORMATION

This product is a security-enabled Z-Wave Plus product with encryption. The product must be used with a security-enabled Z-Wave Controller in order to fully utilize the product.

NB! DIMMING Lighting management may be challenging, and we recommend checking the compatibility of different light sources/bulbs before installation.

DISCLAIMER

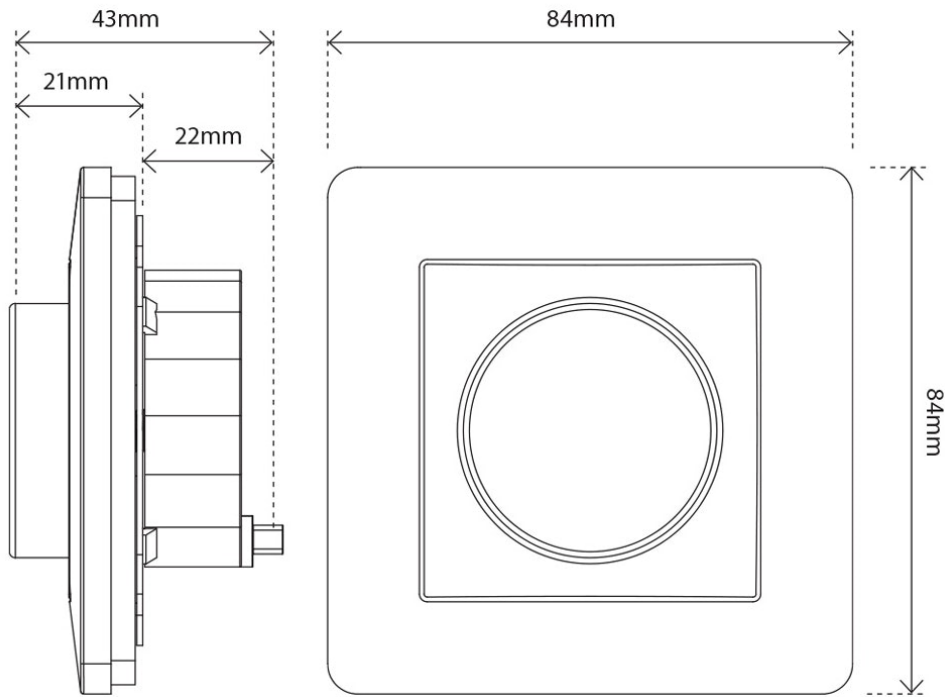
We develop and design our products according in accordance with our strict quality requirements (ISO 9001) and environmental requirements (ISO 14001).

All electrical installations must be carried out by an authorized electrical installer. The product must be installed in accordance with our installers manual and national building codes. Any wrongful installation, misuse, damage of the product, is not covered under warranty.

Updated documentation is available at www.heatit.com and/or documents.heatit.com

Heatit Controls AB can not be held liable for any type of errors or omissions in our product information.

Product specifications may change without further notice.



Heatit Z-Dim can be ordered from www.heatit.com/1444444

All additional documentation are available on the above adress and on documents.heatit.com/1444444

