

## PLASTIC KIT FOR ROTARY DIMMERS BLACK MATT

Plastic kit for retrofitting

**Art.no** 1444446

**GTIN** 7071236016472

Plastic kit for Heatit Z-Dim2, Heatit eezedim og Heatit Zig Dim.  
For retrofitting.  
Black matt.

Does not fit Heatit eezedim 2P.

### PRODUCT FEATURES

Plastic kit for Heatit Z-Dim2, Heatit eezedim og Heatit Zig Dim.



## MAINTENANCE

The device is maintenance-free. Indoor use only.

## WARRANTY

Warranty Norway	5 years	Warranty international	2 years
-----------------	---------	------------------------	---------

## LOGISTICAL DATA (F-PACK)

Width	90mm	Height/diameter	20mm
Length	90mm	Weight	85g
GTIN	7071236016472	Unit	EA
Consists of unit	EA	Quantity	1

## DISCLAIMER

Does not fit Heatit eezedim 2P.

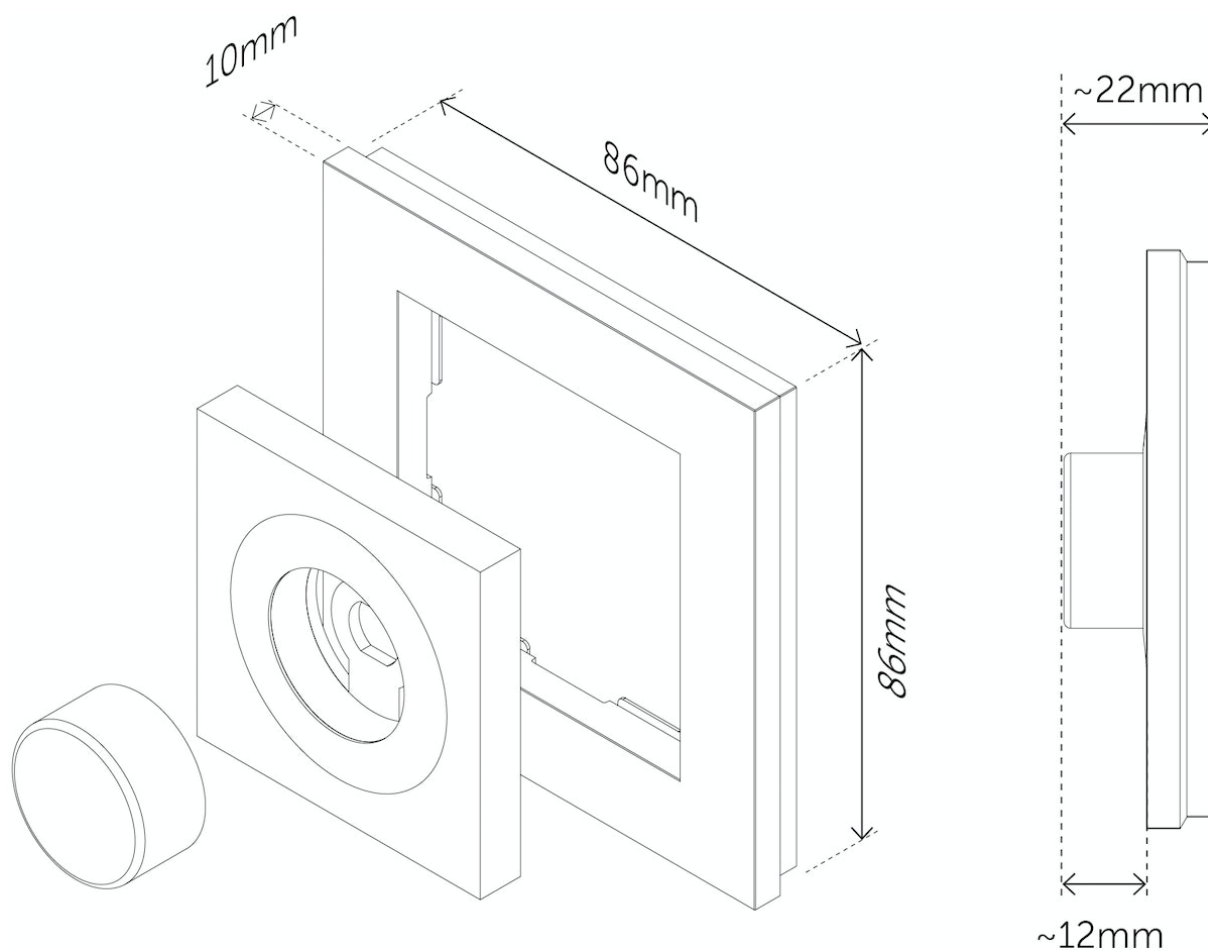
We develop and design our products according in accordance with our strict quality requirements (ISO 9001) and environmental requirements (ISO 14001).

All electrical installations must be carried out by an authorized electrical installer. The product must be installed in accordance with our installers manual and national building codes. Any wrongful installation, misuse, damage of the product, is not covered under warranty.

Updated documentation is available at [www.heatit.com](http://www.heatit.com) and/or [documents.heatit.com](http://documents.heatit.com)

Heatit Controls AB can not be held liable for any type of errors or omissions in our product information.

Product specifications may change without further notice.



**Plastic Kit for Rotary Dimmers Black matt can be ordered from [www.heatit.com/1444446](http://www.heatit.com/1444446)**

All additional documentation are available on the above adress and on [documents.heatit.com/1444446](http://documents.heatit.com/1444446)

