

**PLASTIC KIT HEATIT Z-TRM**

Black RAL9011

Art.no 5430446**GTIN** 7071236012351

Plastic kit for Heatit thermostats. The plastic kit can be combined so that you can have a white frame and a black front, or vice versa.

PRODUCT FEATURES

Plastic kit for Heatit thermostats


WARRANTY

Warranty Norway 2 years

LOGISTICAL DATA (F-PACK)

Width	120mm	Height/diameter	20mm
Length	150mm	Weight	40g
GTIN	7071236012351	Unit	POS
Consists of unit	EA	Quantity	1

LOGISTICAL DATA (M-PACK)

Width	570mm	Height/diameter	135mm
Length	390mm	Weight	4000g
GTIN	-	Unit	CARTON
Consists of unit	POS	Quantity	100

DISCLAIMER

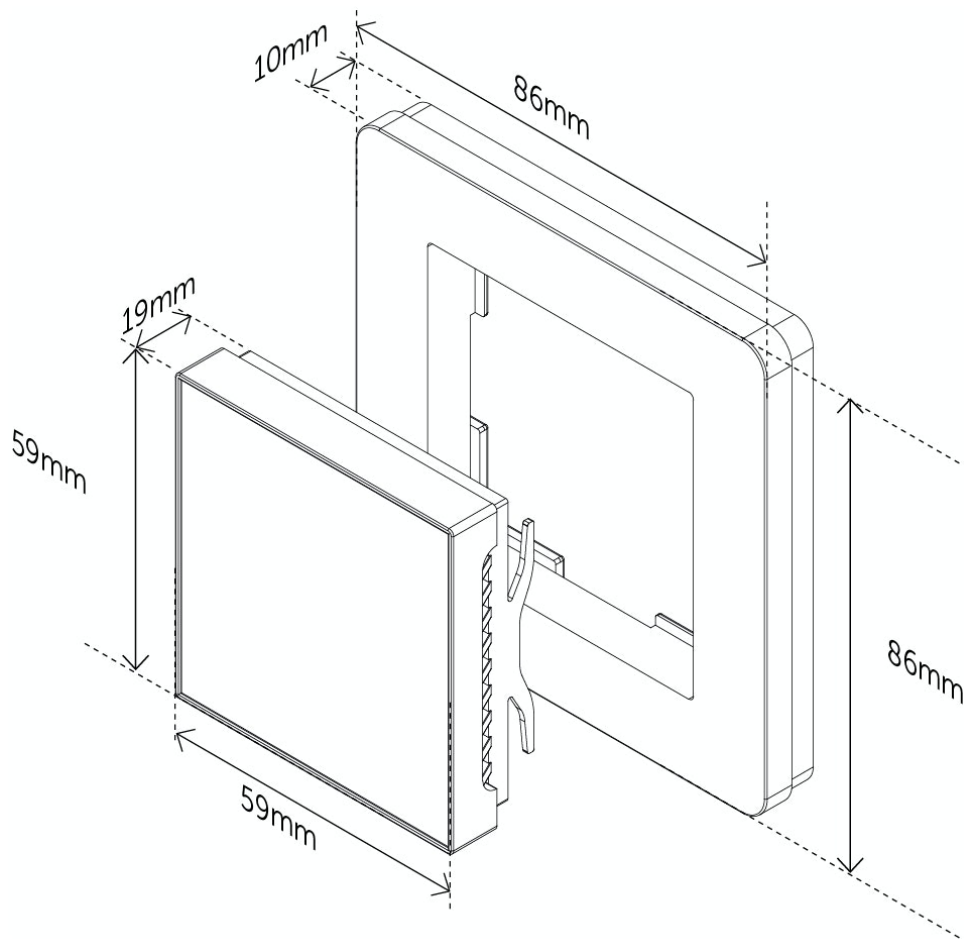
We develop and design our products according in accordance with our strict quality requirements (ISO 9001) and environmental requirements (ISO 14001).

All electrical installations must be carried out by an authorized electrical installer. The product must be installed in accordance with our installers manual and national building codes. Any wrongful installation, misuse, damage of the product, is not covered under warranty.

Updated documentation is available at www.heatit.com and/or documents.heatit.com

Heatit Controls AB can not be held liable for any type of errors or omissions in our product information.

Product specifications may change without further notice.



Plastic kit Heatit Z-TRM can be ordered from www.heatit.com/5430446

All additional documentation are available on the above adress and on documents.heatit.com/5430446

