



## HEATIT Z-SMOKE MULTISENSOR BATTERY

Smoke detector battery

**Art.no** 4512688

**GTIN** 7071236015055

The Heatit Z-Smoke Multisensor is a multifunctional smoke sensor for smart home systems. With its powerful features, the sensor is designed to protect the family from potential fire hazards. With its compact and streamlined design, the Heatit Z-Smoke Detector blends effortlessly with your home decor and gives you extra security.

The Heatit Z-Smoke Multisensor is designed to provide the sensor with more features and capabilities. Therefore, you can use optional additional features such as a built-in PIR motion sensor and temperature sensor. Heatit Z-Smoke Multisensor has a built-in PIR motion sensor. You can choose to use it to create custom scenes to light up the hallway in the middle of the night or help users save energy. The sensor's built-in warning light gives you a visual alarm and warning.

Heatit Z-Smoke Multisensor uses a cutting-edge reflective photoelectric sensor in conjunction with an advanced microprocessor to deliver optimum performance by detecting developing fires and heat generation. When it comes to security, there is no room for compromise.

### PRODUCT FEATURES

- Z-Wave
- Multifunctional smoke detector
- Battery
- Smoke detector
- Temperature sensor
- Motion sensor
- Serial connection possible with Heatit Z-Smoke Detector 230VAC (max 6 pcs)
- Built-in warning light
- Low battery alert
- Button to silence unwanted alarms
- Tamper switch
- Firmware update (OTA)
- Supports encryption mode S0, S2 Unauthenticated Class

### MAINTENANCE

The product should be tested regularly. Vacuum or blow the dust off the smoke detector regularly. Replace the battery as needed. The smoke detector must be replaced every 10 years. Indoor use only.

### ADDITIONAL INFORMATION

The product must be used with a security-enabled Z-Wave Controller in order to fully utilize security/encryption.

EN 14504:2005

### PRODUCT INFO RETURN AND RECYCLING

The product must be recycled as electronic waste.

### IOT / SMART HOME SPECIFIC DATA

Z-Wave Frequency	Z-Wave - 868.4 MHz (EU)
Z-Wave Chip	Z-Wave 500 chip
Min radio frequency range	40m
Over The Air update (OTA)	Yes
Max sound level (dB)	85 dB
Smoke sensor, type	Photoelectric
Range IR signal (meters)	5m
Z-Wave encryption mode	S0 S2 Unauthenticated Class
Certifications	Z-Wave Plus
Primary IoT Protocol	Z-Wave

### ELECTRO TECHNICAL DATA

Voltage	Battery
Battery type	CR123A 3V
Number of batteries required	3
Battery current	3V
Estimated battery life (no of years)	2.8
Ambient temperature range in use	5 til 40°C
Min. and max ambient humidity (RH%)	10 til 85%
Protection grade (IP)	IP20
Declarations	CE declaration


**PRODUCT DIMENSIONS**

Product width	105mm	Product height	41mm
Product length	105mm	Product weight	179g

**LOGISTICAL DATA (F-PACK)**

Width	150mm	Height/diameter	77mm
Length	145mm	Weight	350g
GTIN	7071236015055	Unit	BOX
Consists of unit	EA	Quantity	1

**LOGISTICAL DATA (M-PACK)**

Width	518mm	Height/diameter	384mm
Length	340mm	Weight	11800g
GTIN	-	Unit	CARTON
Consists of unit	BOX	Quantity	30

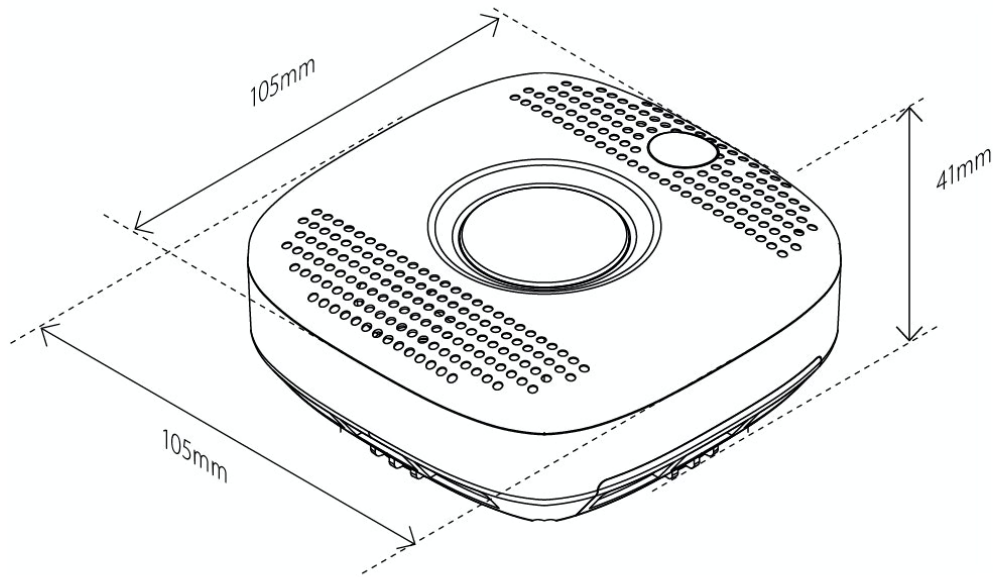
**DISCLAIMER**

We develop and design our products according in accordance with our strict quality requirements (ISO 9001) and environmental requirements (ISO 14001).

All electrical installations must be carried out by an authorized electrical installer. The product must be installed in accordance with our installers manual and national building codes. Any wrongful installation, misuse, damage of the product, is not covered under warranty.

Updated documentation is available at [www.heatit.com](http://www.heatit.com) and/or [documents.heatit.com](http://documents.heatit.com)  
 Heatit Controls AB can not be held liable for any type of errors or omissions in our product information.  
 Product specifications may change without further notice.

Warranty does not apply to batteries.



**Heatit Z-Smoke Multisensor Battery can be ordered from  
[www.heatit.com/4512688](http://www.heatit.com/4512688)**

All additional documentation are available on the above adress and on [documents.heatit.com/4512688](http://documents.heatit.com/4512688)

