



HEATIT Z-HAN B

Z-Wave sensor for power metering

Art.no 4512496

GTIN 7071236018223

Heatit Z-HAN is a Z-Wave HAN sensor for AMS meters (Smart meters). Heatit Z-HAN works on Norwegian AMS meters.

The Heatit Z-HAN is equipped with an RJ45 port for connecting the AMS meter. The Heatit Z-HAN can be powered through the RJ45 port by most AMS meters, but also has a 5V micro USB input for external power supply.



PRODUCT FEATURES

- Z-Wave HAN sensor
- RJ45 and Micro-USB
- Active power metering
- SmartStart
- Firmware Update (OTA)
- Temperature sensor
- Supports encryption mode S0, S2 Authenticated Class, S2 Unauthenticated Class

IOT / SMART HOME SPECIFIC DATA

| | |
|---------------------------|--|
| Z-Wave Frequency | Z-Wave - 868.4 MHz (EU) |
| Z-Wave Chip | Z-Wave 700 chip |
| Min radio frequency range | 40m |
| Over The Air update (OTA) | Yes |
| Z-Wave encryption mode | S2 Unauthenticated Class S0 S2 Authenticated Class |

ELECTRO TECHNICAL DATA

| | |
|---------|-------------------|
| Voltage | 5V DC (Micro-USB) |
|---------|-------------------|



MAINTENANCE

The device is maintenance-free. Indoor use only.

ADDITIONAL INFORMATION

The product must be used with a security-enabled Z-Wave Controller in order to fully utilize security/encryption.

PRODUCT INFO RETURN AND RECYCLING

The product must be recycled as electronic waste.

STANDARDS

| | | | |
|--------------|-------------------|---------------|---------------|
| EN Standards | CE Z-Wave Plus | Certification | RoHS Reach |
| IP Class | IP20 | | |

WARRANTY

| | | | |
|-----------------|---------|------------------------|---------|
| Warranty Norway | 5 years | Warranty international | 2 years |
|-----------------|---------|------------------------|---------|

LOGISTICAL DATA (F-PACK)

| | | | |
|------------------|---------------|-----------------|------|
| Width | 52mm | Height/diameter | 42mm |
| Length | 105mm | Weight | 78g |
| GTIN | 7071236018223 | Unit | BOX |
| Consists of unit | EA | Quantity | 1 |

LOGISTICAL DATA (M-PACK)

| | | | |
|------------------|-------|-----------------|--------|
| Width | 175mm | Height/diameter | 112mm |
| Length | 267mm | Weight | 1650g |
| GTIN | - | Unit | CARTON |
| Consists of unit | BOX | Quantity | 20 |

LOGISTICAL DATA (D-PACK)

| | | | |
|------------------|--------|-----------------|--------|
| Width | 280mm | Height/diameter | 355mm |
| Length | 570mm | Weight | 17120g |
| GTIN | - | Unit | CARTON |
| Consists of unit | CARTON | Quantity | 200 |



DISCLAIMER

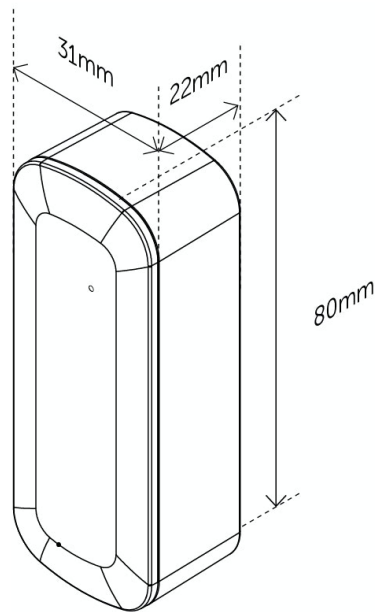
We develop and design our products according in accordance with our strict quality requirements (ISO 9001) and environmental requirements (ISO 14001).

All electrical installations must be carried out by an authorized electrical installer. The product must be installed in accordance with our installers manual and national building codes. Any wrongful installation, misuse, damage of the product, is not covered under warranty.

Updated documentation is available at www.heatit.com and/or documents.heatit.com

Heatit Controls AB can not be held liable for any type of errors or omissions in our product information.

Product specifications may change without further notice.



Heatit Z-HAN B can be ordered from www.heatit.com/4512496

All additional documentation are available on the above adress and on documents.heatit.com/4512496

