



HEATIT TRANSFORMER 230VAC

Transformer 230VAC -> 12VDC - 5VDC - 3.3VDC

Art.no 4512648

GTIN 7071236017479

Heatit Transformer is an in-wall transformer that fits European electrical wall boxes. It enables the user to connect low voltage devices to mains power and change the voltage from 230VAC to either 12VDC, 5VDC or 3.3VDC.

Paired with Heatit battery adapters, Heatit Transformer can make your battery-powered devices run on mains power. Any battery-powered devices with a power draw of up to 450mA at 12VDC or 420mA at 5VDC and 3.3VDC can be connected to the transformer.

PRODUCT FEATURES

- Easy to install
- Adjust voltage from 230VAC to 12VDC, 5VDC or 3.3VDC
- Compact size - fits easily in European electrical wall box

PRODUCT DATA

Colour	Black Olive RAL 6015
Min. and max ambient humidity (RH%)	10 til 85%
Ambient temperature range in use	5 til 40°C
Ambient temperature range in storage	-30 til 70°C

STANDARDS

Certification	CE
IP Code	IP20

WARRANTY

ELECTRO TECHNICAL DATA

Voltage	230VAC 50Hz
Own power usage	1W
Max load (resistive load)	0.45A
Connection type	Screw clamps
Connection terminals diameter	0.5 til 2.5mm ²
Max tightening torque connections	2N·m
Grounding	No



MAINTENANCE

The device is maintenance-free. Indoor use only.

ADDITIONAL INFORMATION

Terminals: 12VDC Max 450mA
5VDC Max 420mA
3.3VDC Max 420mA

NB! Max tightening torque for terminal screws: 2Nm.

PRODUCT INFO RETURN AND RECYCLING

The product must be recycled as electronic waste.

DISCLAIMER

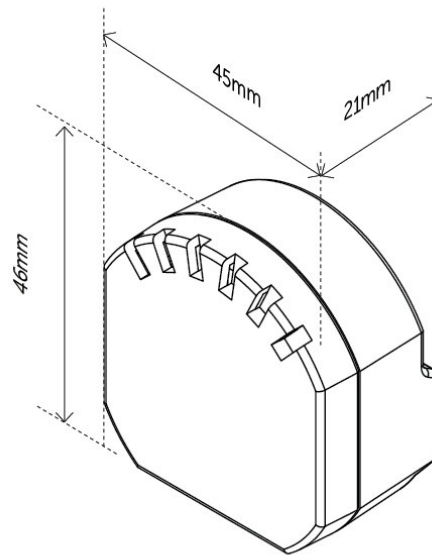
We develop and design our products according in accordance with our strict quality requirements (ISO 9001) and environmental requirements (ISO 14001).

All electrical installations must be carried out by an authorized electrical installer. The product must be installed in accordance with our installers manual and national building codes. Any wrongful installation, misuse, damage of the product, is not covered under warranty.

Updated documentation is available at www.heatit.com and/or documents.heatit.com

Heatit Controls AB can not be held liable for any type of errors or omissions in our product information.

Product specifications may change without further notice.



Heatit Transformer 230VAC can be ordered from www.heatit.com/4512648

All additional documentation are available on the above adress and on documents.heatit.com/4512648

