



## HEATIT Z-GATEWAY

### Z-Wave Gateway

<b>Art.no</b>	4512699
<b>GTIN</b>	7071236014966

Heatit Z-Wave Gateway is a smart home control unit with a modern design. Heatit Z-Gateway has SmartStart. This feature allows the user to include all devices with SmartStart by scanning the QR codes on the devices. On startup, all the devices will automatically be included in the gateway. This saves the installer a lot of work.

This gateway allows you to control all Z-Wave devices in your home via tablet or mobile phone. The gateway is designed for easy setup and operation. With just a few clicks, you can easily add Z-Wave devices and create scenes. The settings are simple, but the possibilities are almost limitless.

Push notifications are supported, so you get notifications from your phone when an event is triggered in the smart home system, even when the phone is in sleep mode.

Voice control via Amazon Alexa and Google Home is also supported, and you can manage the system through voice commands.

The Heatit Z-Wave gateway gives you endless opportunities to tailor your smart home to your specific needs.

This product can not be used with Heatit Z-Water.

### PRODUCT FEATURES

- Z-Wave gateway
- SmartStart
- Up to 60 scenes
- Controls up to 120 Z-Wave devices
- Controls up to 12 devices in one scene
- Support for Amazon Alexa and Google Home
- Optional alarm function for each connected device
- Supports encryption mode S0, S2 Authenticated Class, S2 Unauthenticated Class
- Push notifications
- Software update via FTP
- Internal real-time clock

### PRODUCT DATA

Colour	White
Min. and max ambient humidity (RH%)	10 til 85%
Ambient temperature range in use	0 til 50°C
Ambient temperature range in storage	5 til 40°C

### STANDARDS

EN Standards	EMC
Certification	CE, Z-Wave Plus
IP Code	IP20

### WARRANTY

### IOT / SMART HOME SPECIFIC DATA

Z-Wave Frequency	Z-Wave - 868.4 MHz (EU)
Z-Wave Chip	Z-Wave 500 chip
Z-Wave encryption mode	S0 S2 Authenticated Class S2 Unauthenticated Class

### ELECTRO TECHNICAL DATA

Voltage	230VAC 50Hz
---------	-------------



## MAINTENANCE

Perform a monthly check to make sure that the gateway has the latest firmware version installed to guarantee stability and device support.

## ADDITIONAL INFORMATION

## PRODUCT INFO RETURN AND RECYCLING

The product must be recycled as electronic waste.

## DISCLAIMER

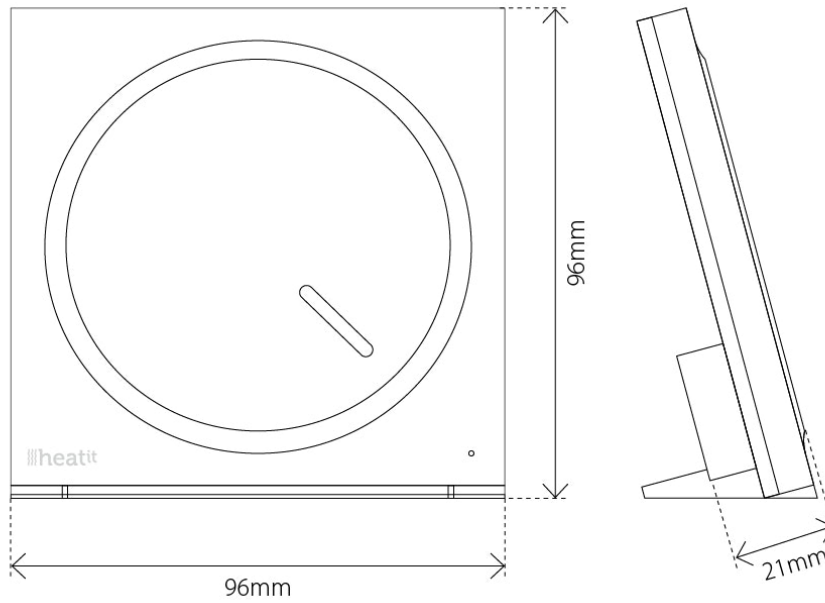
We develop and design our products according in accordance with our strict quality requirements (ISO 9001) and environmental requirements (ISO 14001).

All electrical installations must be carried out by an authorized electrical installer. The product must be installed in accordance with our installers manual and national building codes. Any wrongful installation, misuse, damage of the product, is not covered under warranty.

Updated documentation is available at [www.heatit.com](http://www.heatit.com) and/or [documents.heatit.com](http://documents.heatit.com)

Heatit Controls AB can not be held liable for any type of errors or omissions in our product information.

Product specifications may change without further notice.



**Heatit Z-Gateway can be ordered from [www.heatit.com/4512699](http://www.heatit.com/4512699)**

All additional documentation are available on the above adress and on [documents.heatit.com/4512699](http://documents.heatit.com/4512699)

