



HEATIT Z-DIM2 250W

Z-Wave Rotary Dimmer

Art.no 1444440
GTIN 7071236016410

Heatit Z-Dim2 is a Z-Wave rotary dimmer for many different types of light fixtures. The dimmer works on most low loads without causing flickering. Heatit Z-Dim2 is very well suited for LED.

The dimmer is equipped with an external switch option. This allows you to dim and turn on/off the light.

The dimmer fits in standard European junction boxes and may be used with most System 55 frames.

Heatit Z-Dim2 has active power metering and it gives you real time information about your power consumption.

PRODUCT FEATURES

- Z-Wave rotary dimmer
- 2-wire
- 5W - 250W LED
- Rotary and push dimming
- Nemko certified
- Active power metering
- SmartStart
- Max. dim level auto-calibration
- Supports encryption mode S0, S2 Authenticated Class, S2 Unauthenticated Class
- Firmware update (OTA)
- Overload protection
- Short circuit protection
- Surge protection
- Overheat protection
- External switch
- Min. dim level adjustable

PRODUCT DATA

Colour	White RAL 9003
Min. and max ambient humidity (RH%)	10 to 85%
Ambient temperature range in storage	-30 to 70°C
Ambient temperature range in use	5 to 40°C

STANDARDS

Certification	RoHS, Reach
IP Code	IP21

WARRANTY

Warranty international	2 years
------------------------	---------

IOT / SMART HOME SPECIFIC DATA

Z-Wave Frequency	Z-Wave - 868.4 MHz (EU)
Z-Wave Chip	Z-Wave 700 chip
Min radio frequency range	40m
Over The Air update (OTA)	Yes
Z-Wave encryption mode	S2 Unauthenticated Class S2 Authenticated Class S0

ELECTRO TECHNICAL DATA

Voltage	230VAC 50Hz
Power	5 to 250W
Method of regulation	Push and Rotary Dimming
Connection type	Screw clamps
Connection terminals diameter	0.2 to 2.5mm ²
Max tightening torque connections	2N·m
Voltage Output	230VAC 50Hz



PRODUCT DIMENSIONS

Product height/diameter	70mm	Product Width	90mm
Product length	94mm	Product net weight	139g

MAINTENANCE

The device is maintenance-free. Indoor use only.

ADDITIONAL INFORMATION

The product must be used with a security-enabled Z-Wave Controller in order to fully utilize security/encryption.

NB! Dimming may be challenging, and we recommend checking the compatibility of different light sources before installation.

When connecting low loads it is recommended to use a bypass.

Working frequency 868.4MHz. Max output power 12,49dBm.
The distance between user and products should be no less than 20 cm.

PRODUCT INFO RETURN AND RECYCLING

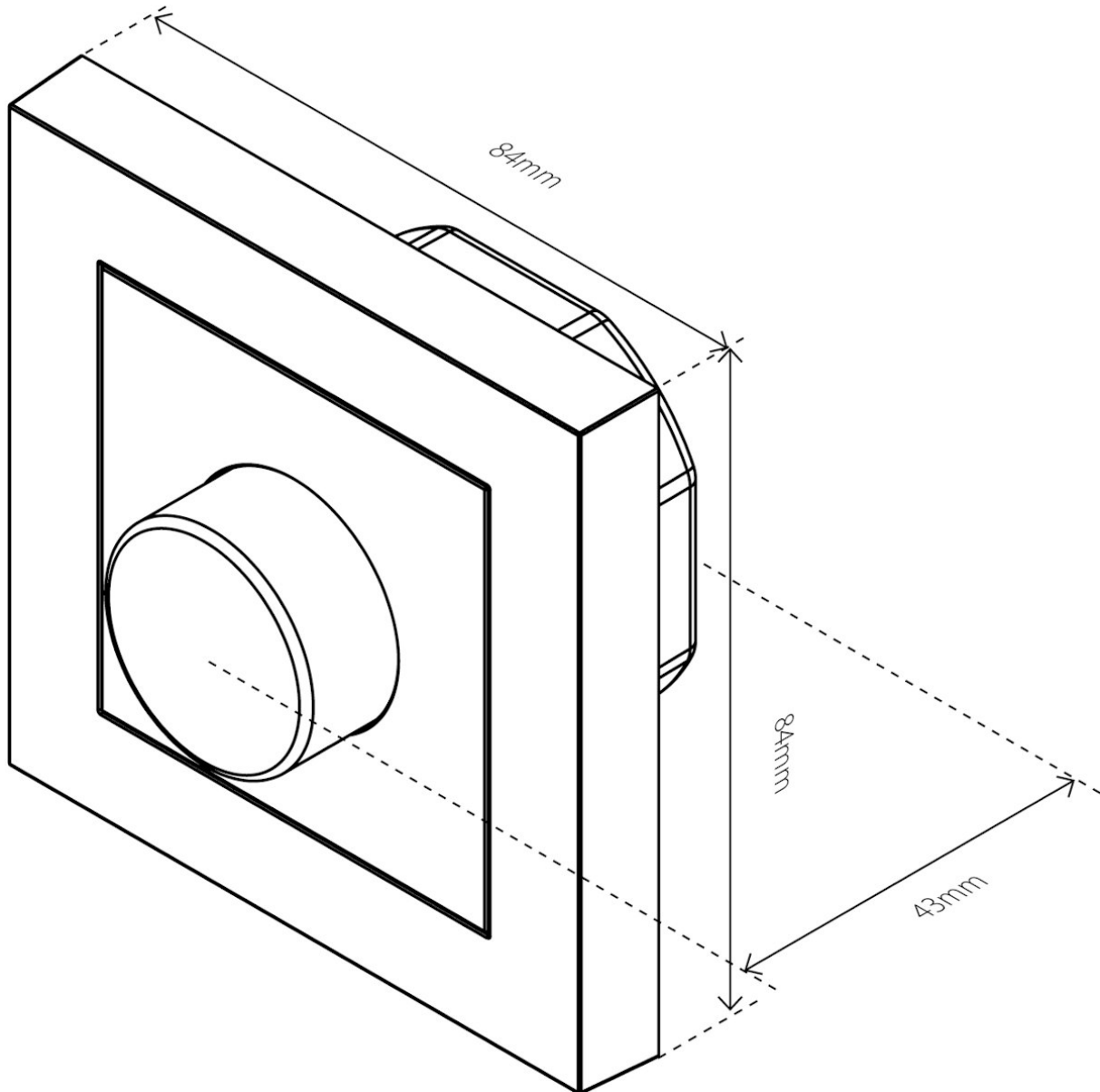
The product must be recycled as electronic waste.

DISCLAIMER

We develop and design our products according in accordance with our strict quality requirements (ISO 9001) and environmental requirements (ISO 14001).

All electrical installations must be carried out by an authorized electrical installer. The product must be installed in accordance with our installers manual and national building codes. Any wrongful installation, misuse, damage of the product, is not covered under warranty.

Updated documentation is available at www.heatit.com and/or documents.heatit.com
Heatit Controls AB can not be held liable for any type of errors or omissions in our product information.
Product specifications may change without further notice.



Heatit Z-Dim2 250W can be ordered from www.heatit.com/1444440

All additional documentation are available on the above adress and on documents.heatit.com/1444440

