



HEATIT Z-WATER

EOL

Z-Wave Regulator 868,4 MHz

Art.no 4512475

GTIN 7071236014065

Heatit Z-Water is a DIN-rail regulator for controlling waterbased heating systems. The module clips right onto a DIN-rail to add a variety of functions to your wireless Z-Wave network. Heatit Z-Water is equipped with 10 relay outputs and it has 4 analog inputs.

The module is power supplied from a 230VAC mains connection and is able to deliver an output supply of 24VDC or 230VAC. Heatit Z-Water relay outputs may be freely controlled from the Z-Wave network, and may be used for several purposes, e.g. on/off control of lights, controlling valve actuators in an underfloor heating system, or controlling other home automation systems.

Should not be placed in steel cabinets as this will reduce the range.

PRODUCT FEATURES

- Regulator for waterbased heating systems
- Relay outputs can control actuators in a waterbased floor heating system
- May be used to control both 24V actuators and 230VAC actuators
- May be used with a Heatit Z-Temp2 or Heatit Z-TRM3 thermostat in each zone
- DIN-rail mounting
- Works as a Z-Wave repeater to improve the Z-Wave network range
- Firmware update (OTA)
- Supports encryption mode: S0, S2 Authenticated Class, S2 Unauthenticated Class

IOT / SMART HOME SPECIFIC DATA

Z-Wave Frequency	Z-Wave - 868.4 MHz (EU)
Z-Wave Chip	Z-Wave 500 chip
Min radio frequency range	40m
Over The Air update (OTA)	Yes
Z-Wave encryption mode	S0 S2 Authenticated Class S2 Unauthenticated Class

ELECTRO TECHNICAL DATA

Voltage	240V
Max load (resistive load)	150W
Own power usage	0.6W



MAINTENANCE

The device is maintenance-free

ADDITIONAL INFORMATION

This product is a security-enabled Z-Wave Plus product with encryption. The product must be used with a security-enabled Z-Wave Controller in order to fully utilize the product.

Heatit Z-Water is incompatible with Heatit Z-Wave Gateway.

STANDARDS

Certification	CE Z-Wave Plus	IP Class	IP21
---------------	-------------------	----------	------

WARRANTY

Warranty Norway	2 years
-----------------	---------

LOGISTICAL DATA (F-PACK)

Width	98mm	Height/diameter	75mm
Length	175mm	Weight	380g
GTIN	7071236014065	Unit	BOX
Consists of unit	EA	Quantity	1

LOGISTICAL DATA (M-PACK)

Width	600mm	Height/diameter	380mm
Length	420mm	Weight	19500g
GTIN	-	Unit	CARTON
Consists of unit	BOX	Quantity	50

DISCLAIMER

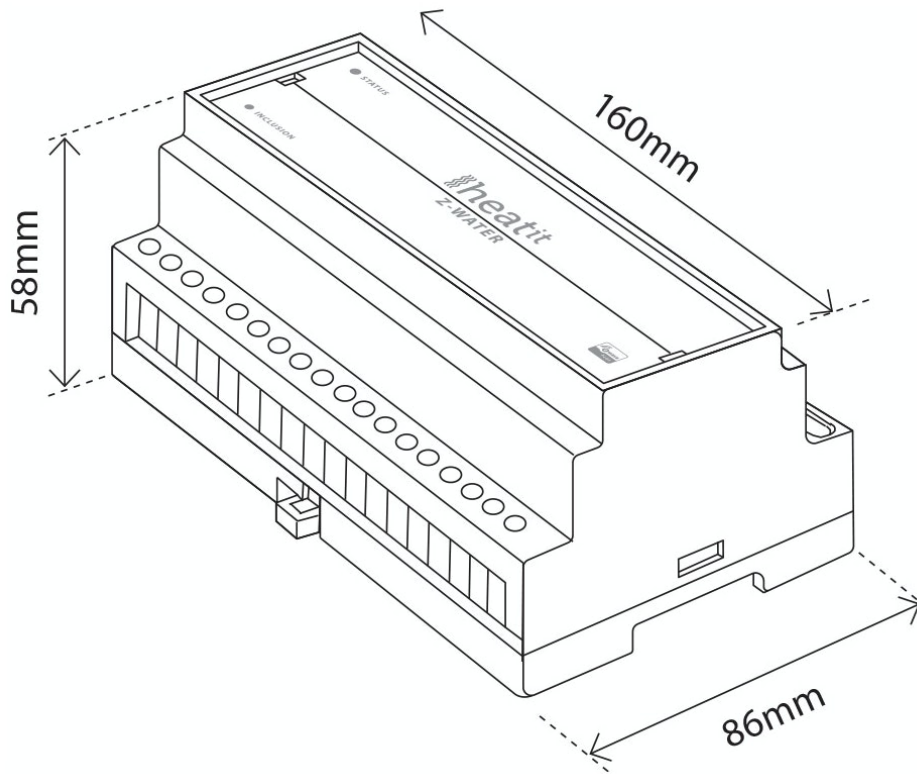
We develop and design our products according in accordance with our strict quality requirements (ISO 9001) and environmental requirements (ISO 14001).

All electrical installations must be carried out by an authorized electrical installer. The product must be installed in accordance with our installers manual and national building codes. Any wrongful installation, misuse, damage of the product, is not covered under warranty.

Updated documentation is available at www.heatit.com and/or documents.heatit.com

Heatit Controls AB can not be held liable for any type of errors or omissions in our product information.

Product specifications may change without further notice.



Heatit Z-Water can be ordered from www.heatit.com/4512475

All additional documentation are available on the above adress and on documents.heatit.com/4512475

