



## HEATIT 7S NFC WHITE RAL 9003

Thermostat 3600W 16A

**Art.no** 5430585

**GTIN** 7071236016878

Heatit 7S NFC is an electronic thermostat for electrical underfloor heating. The thermostat has three modes; Comfort, Eco and weekly program.

The thermostat fits in standard European wall boxes and can be used with most frames that are adapted to System 55. The thermostat has a built-in sensor and may be connected to two external sensors.

Heatit NFC Thermostat has a built-in NFC chip to control the thermostat via NFC app on your phone. All parameters can be configured from the app, and you can also set up weekly schedules via the app.

Designed for electrical heating.

### PRODUCT FEATURES

- NFC thermostat
- 7-segment LED display
- Floor sensor
- Internal room sensor
- External sensor (wired)
- 3 modes: Comfort, Economy and Automatic
- Requires a smartphone with iOS 14, Android 6.0 or later + NFC support
- Adaptive regulation
- Weekly schedule
- Single pole switch
- Lock / child safety
- Temperature calibration

### PRODUCT DATA

Colour	White RAL 9003
Min. and max ambient humidity (RH%)	10 to 85%
Ambient temperature range in use	5 to 40°C

### THERMOSTAT DATA

Compatible NTC-sensors (kΩ @ 25°C)	6,8, 10, 12, 15, 22, 33, 47
Error margin temperature	0,5
Temperature sensitivity	±0,5
Hysteresis	±0,5
Ohm value at 25°C	10kΩ
Max length of NTC sensor	50m
Regulation temperature	5 to 40°C

### STANDARDS

Certification	RoHS, Reach
EN Standards	CE
IP Code	IP21

### WARRANTY

Warranty international	2 years
------------------------	---------

### IOT / SMART HOME SPECIFIC DATA

Alternate IoT-communication protocols	No alternative communication protocols
Push buttons	3
Primary IoT Protocol	Near Field Communication (NFC)

### ELECTRO TECHNICAL DATA

Voltage	230VAC 50Hz
Max load (resistive load)	3600W
Own power usage	0.5W
Max load (resistive load)	16A
Connection type	Screw clamps
Connection terminals diameter	0.2 to 2.5mm <sup>2</sup>
Max tightening torque connections	2N·m
Voltage Output	230VAC 50Hz



## PRODUCT DIMENSIONS

Product height/diameter	84mm	Product Width	84mm
Product length	51.1mm	Product net weight	109g

## MAINTENANCE

The device is maintenance-free. Indoor use only.

## ADDITIONAL INFORMATION

Approved for use in bathrooms.

## PRODUCT INFO RETURN AND RECYCLING

The product must be recycled as electronic waste.

## DISCLAIMER

The device can withstand a load of max. 16A/3600W at 230VAC. We recommend a contactor for loads above 13A.

General info;

Worth noting regarding correct installation of thermostats.

When two or more thermostats are mounted too close to each other, the heat they emit, can interfere with the temperature sensors and the temperature in the junction box becomes too high. This can cause inaccurate temperature readings, especially under high load, leading to incorrect heating control. To avoid such issues, thermostats should be installed as far apart as possible and always in separate junction boxes. This ensures more accurate temperature readings.

In multi-frames with multiple units, the thermostat should always be mounted at the bottom, and no more than one thermostat should ever be installed in a multi-frame.

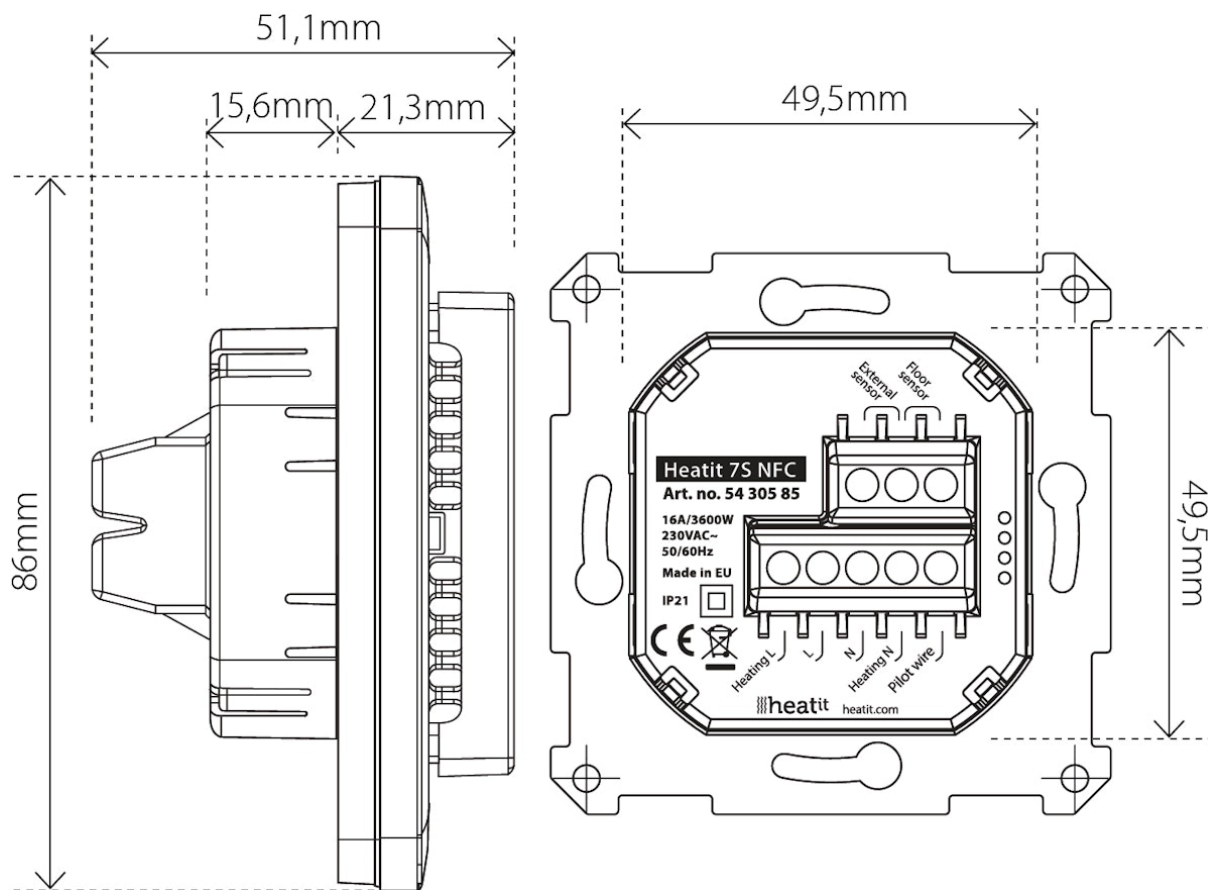
We develop and design our products according in accordance with our strict quality requirements (ISO 9001) and environmental requirements (ISO 14001).

All electrical installations must be carried out by an authorized electrical installer. The product must be installed in accordance with our installers manual and national building codes. Any wrongful installation, misuse, damage of the product, is not covered under warranty.

Updated documentation is available at [www.heatit.com](http://www.heatit.com) and/or [documents.heatit.com](http://documents.heatit.com)

Heatit Controls AB can not be held liable for any type of errors or omissions in our product information.

Product specifications may change without further notice.



**Heatit 7S NFC White RAL 9003 can be ordered from  
[www.heatit.com/5430585](http://www.heatit.com/5430585)**

All additional documentation are available on the above adress and on [documents.heatit.com/5430585](http://documents.heatit.com/5430585)

