



AREAS OF USE

WiFi thermostat
 Floor sensor with option for external sensor
 Internal room sensor
 Power regulator
 Adaptive regulation
 Temperature limiter
 Weekly schedule
 Home/Away/Anti-frost
 Intuitive app - easy to use
 Control via app
 Alarm/notifications in app
 Firmware update (OTA)
 Energy calculator
 Single pole switch
 Lock mode/Child lock
 Temperature calibration
 Amazon Cloud
 Norwegian/Svensk/English/Finnish/Dutch language

MAINTENANCE

The device is maintenance-free, but must never be covered.

AREAS OF USE

Approved for use in bathrooms.

PRODUCT INFO RETURN AND RECYCLING

The product must be recycled as electronic waste.

HEATIT WIFI BLACK MATT

WiFi thermostat 3600W

EI-nummer 5430588

GTIN 7071236017431

Heatit WiFi is an electronic thermostat for electrical underfloor heating. The thermostat has a simple user interface and can be easily programmed via the capacitive buttons. The thermostat has an easy user interface.

The thermostat fits in standard European wall boxes and can be used with most frames that are adapted to System 55. The thermostat has a built-in sensor and may be connected to two external sensors.

The thermostat has a built-in WiFi that allows you to control it from a user-friendly app. The "Heatit WiFi" app is available on Google Play and in the App Store. Works with Amazon Alexa and Google Home. If you are installing multiple thermostats in the same house, you may copy the settings from one thermostat to the next. This simplifies the installation.

IOT / SMART HOME SPECIFIC DATA

Alternate IoT-communication protocols	WiFi (802.11 b/g/n) 2,4GHz
Min radio frequency range	30m
Over The Air update (OTA)	Yes

ELECTRO TECHNICAL DATA

Voltage	230V 50Hz
Max load (resistive load)	3600W
Max current	16A
Own power usage	2W
Switch type	One-pole switch
Ambient temperature range in use	5 til 40°C
Min. and max ambient humidity (RH%)	10 til 85%
Connection type	Push-in clamps
Connection terminals diameter	0.2 til 2.5mm ²
Protection grade (IP)	IP21
Declarations	CE declaration

THERMOSTAT DATA

Compatible NTC-sensors (k? @ 25°C)	10, 100, 12, 15, 22, 33, 47, 6.8
Effect regulator	Timed cycle 0-30 minutes
Error margin temperature	0,5°C
Hysteresis	0,2 to 2 (std. hysteresis 0,5)
Regulation temperature	5 til 40°C
Ohm value at 25°C	10?




INSTALLATION AND STORAGE DATA

Max installation temperature	40°C	Min installation temperature	5°C
Assembly / mounting location	European Junction Box		

PRODUCT DIMENSIONS

Product width	86mm	Product height	86mm
Product length	38mm	Product weight	150g

LOGISTICAL DATA (F-PACK)

Quantity	1	Width	110mm
Height/diameter (ø/mm)	75mm	Length	120mm
Weight	300g	Unit	PCE

LOGISTICAL DATA (M-PACK)

Width	395mm	Height	130mm
Length	560mm	Weight	6100g
Unit	PCE	Quantity	25

DISCLAIMER

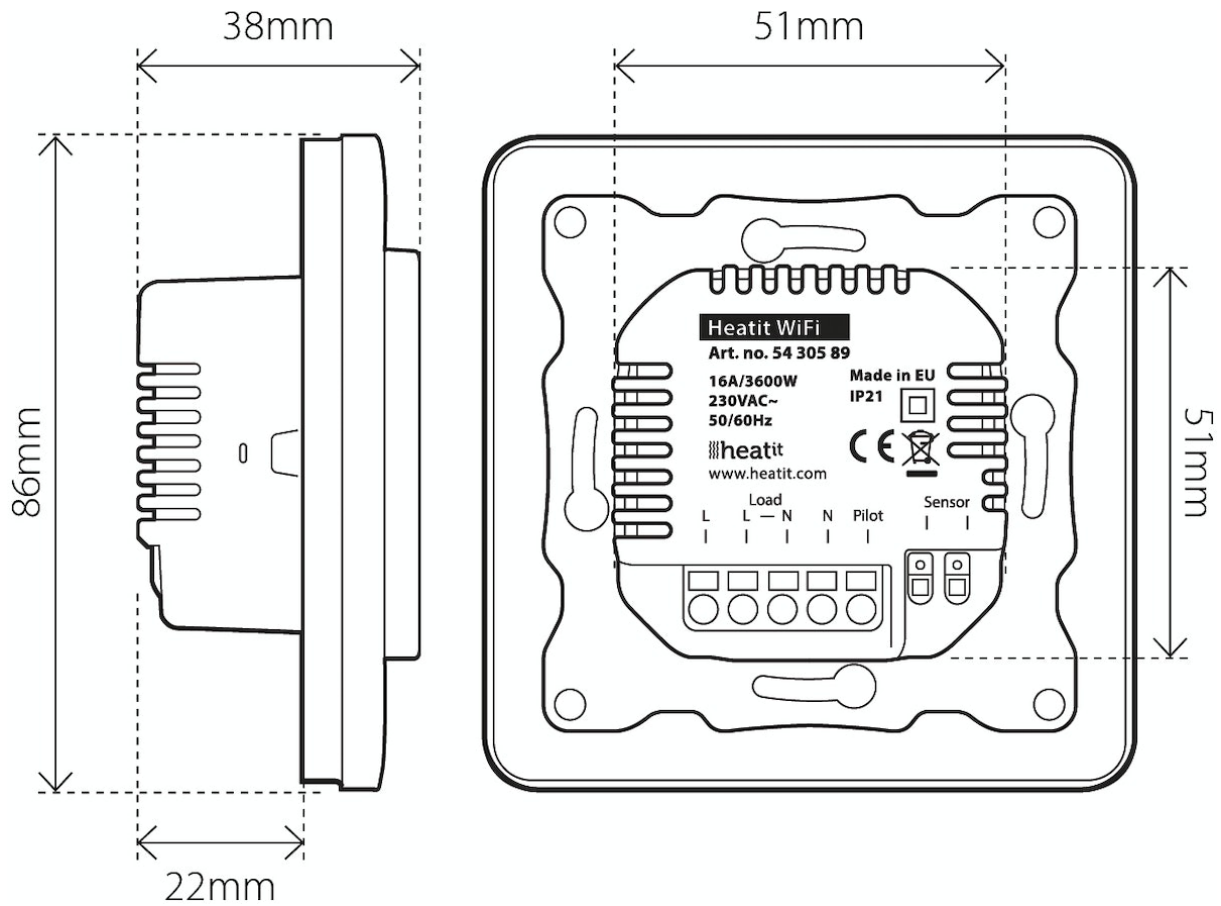
We develop and design our products according in accordance with our strict quality requirements (ISO 9001) and environmental requirements (ISO 14001).

All electrical installations must be carried out by a authorized electrical installer. The product must be installed in accordance with our installers manual and national building codes. Any wrongful installation, misuse, damage of the product, is not covered under warranty.

Heatit Controls AB can not be held liable for any type of errors or omissions in our product information. Product specifications may change without further notice.

The device can withstand a load of max 16A/3600W at 230VAC. We recommend a contactor for loads above 13A.

When connecting low loads it is recommended to use a bypass.



Heatit WiFi Black matt can be ordered from www.heatit.com/5430588

All additional documentation are available on the above adress and on documents.heatit.com/5430588

